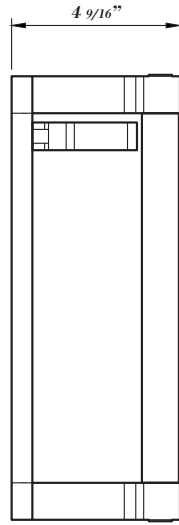
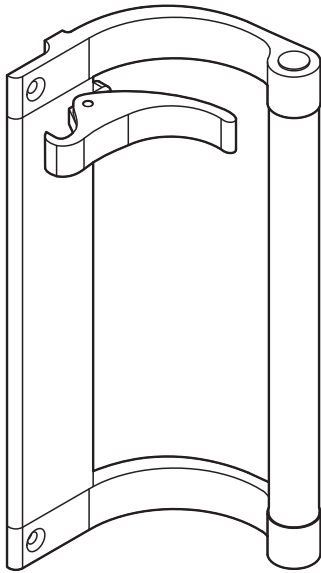
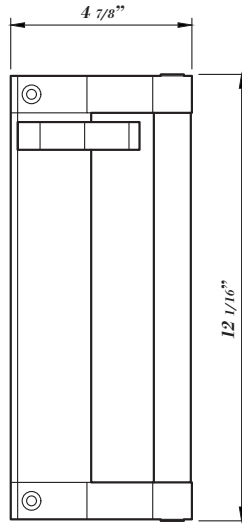


DOUBLE PEACOCK SLIDER HANDLE

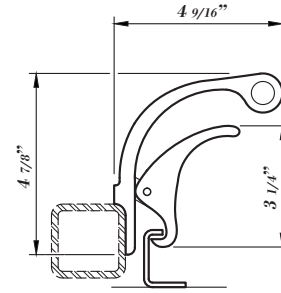


SIDE



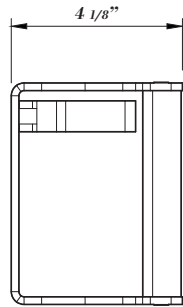
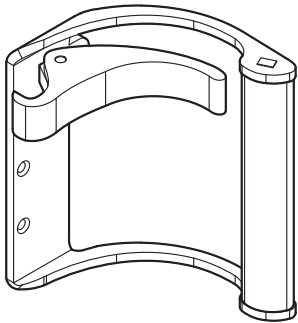
FRONT

FOR USE WITH TUBE STEEL SLIDING DOORS
 BILLET STEEL CONSTRUCTION
 THUMB OPERATED MAGNETIC HOOK LATCH
 LEATHER WRAPPING AVAILABLE

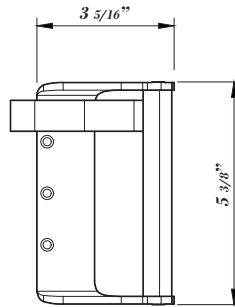


TOP

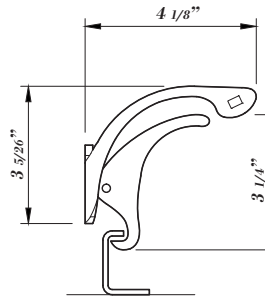
SINGLE PEACOCK SLIDER HANDLE



SIDE



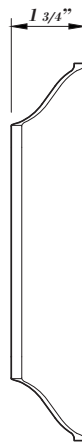
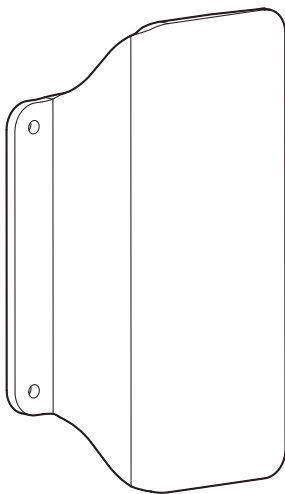
FRONT



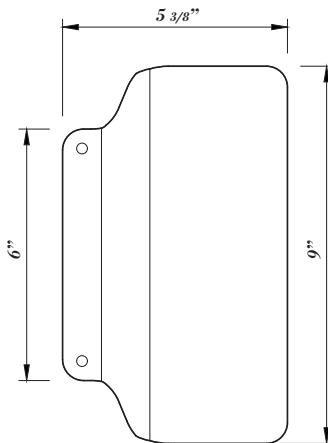
TOP

FOR USE WITH SLIDING DOORS
 BENT PLATE CONSTRUCTION
 THUMB OPERATED MAGNETIC HOOK LATCH
 MACHINED BRASS GRIP BAR

PUSH/PULL SWING DOOR HANDLE

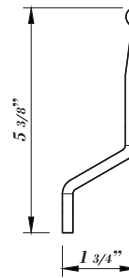


SIDE



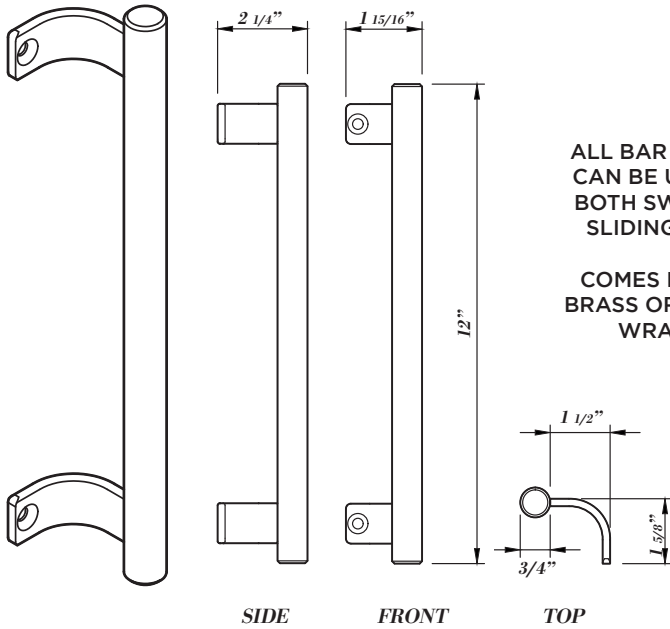
FRONT

FOR USE WITH SWING DOORS
 BENT BRASS PLATE CONSTRUCTION
 POLISHED OR SATIN FINISH AVAILABLE

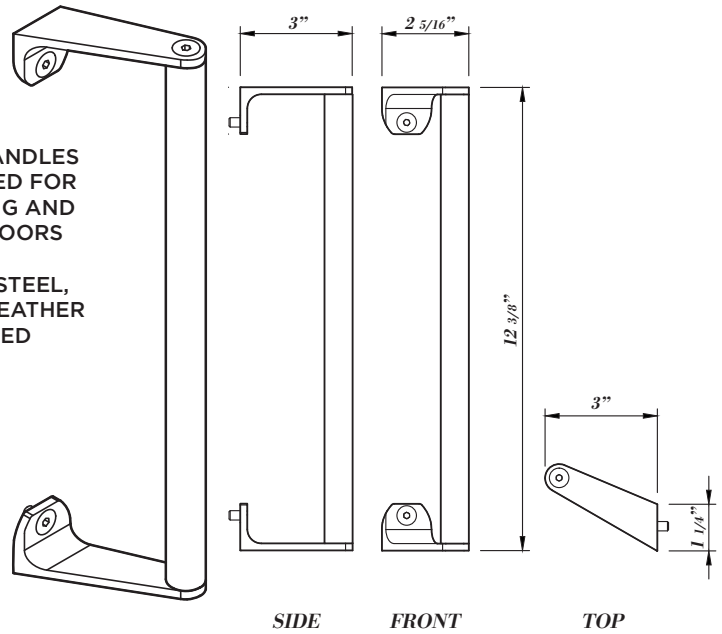


TOP

ROUND BAR HANDLE



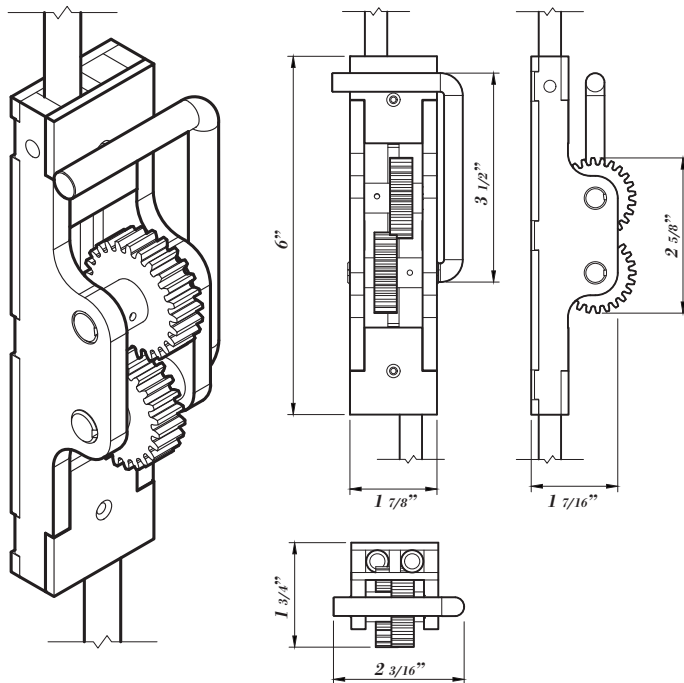
CORTEZ BAR HANDLE



ALL BAR HANDLES
CAN BE USED FOR
BOTH SWING AND
SLIDING DOORS

COMES IN STEEL,
BRASS OR LEATHER
WRAPPED

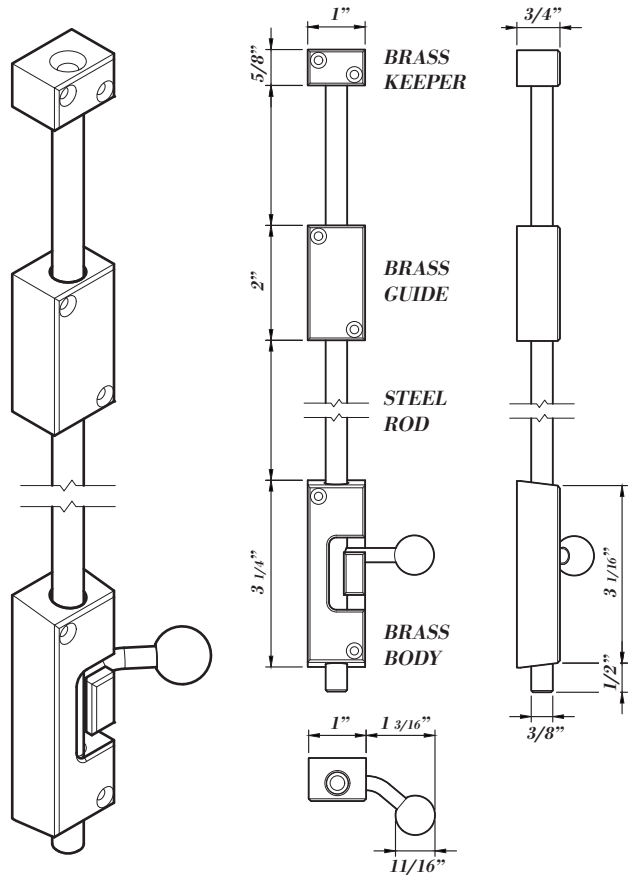
GEAR LEVER CREMONE



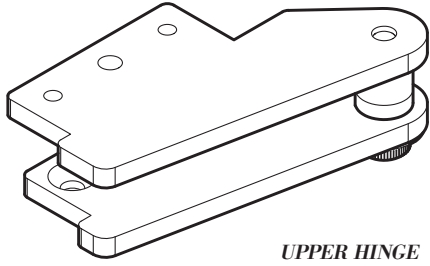
FOR USE WITH DOUBLE DOORS

LEATHER WRAPPING AVAILABLE FOR HANDLE

CORTEZ CANE BOLT



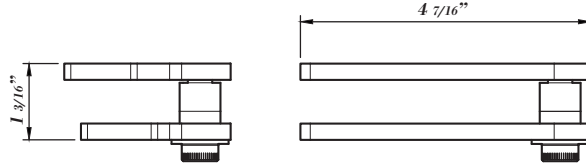
OFFSET PIVOT HINGE



UPPER HINGE

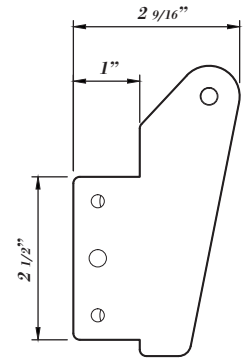
FOR USE WITH SWING DOORS AND CASEMENT WINDOWS

HEIGHT ADJUSTABLE AND REMOVABLE FOR MAINTENANCE

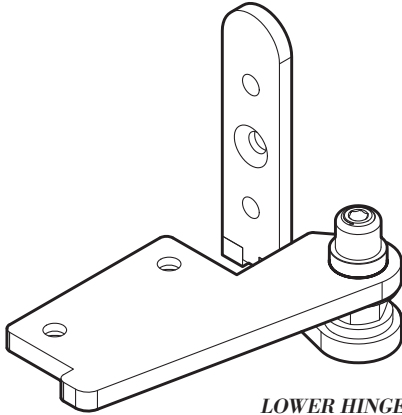


SIDE

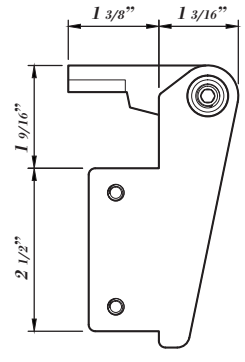
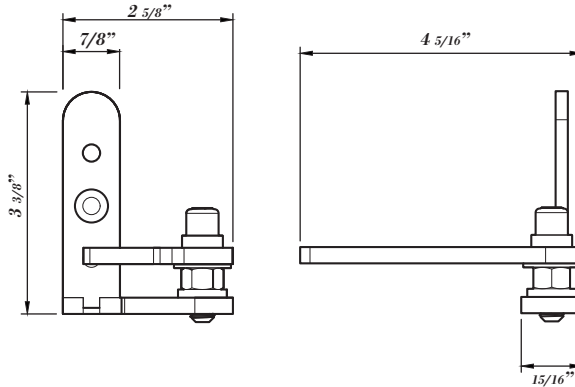
FRONT



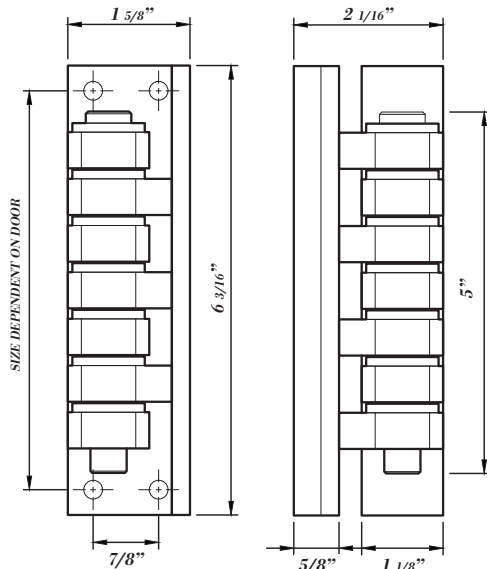
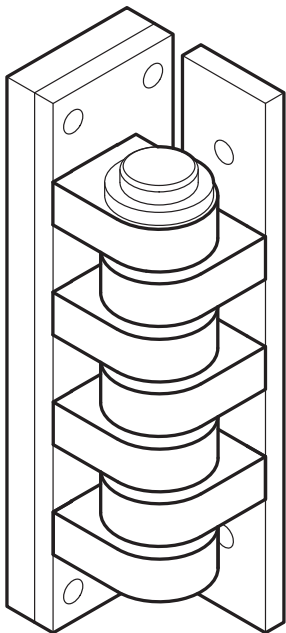
TOP



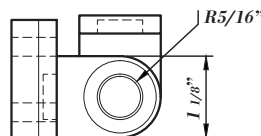
LOWER HINGE



MOUNTED SWING HINGE

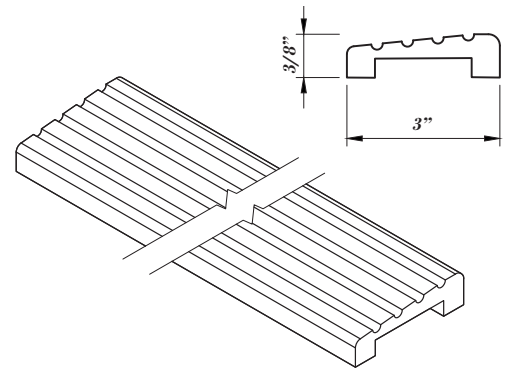


FOR USE WITH LARGE FORMAT TUBE STEEL SWING DOORS



BRASS THRESHOLD

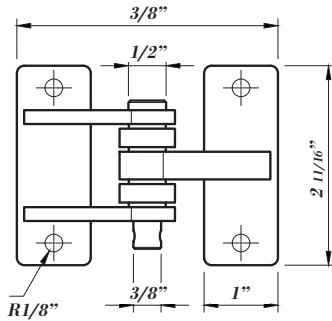
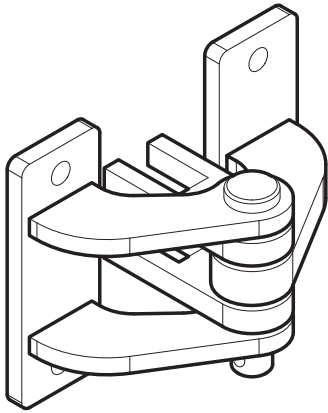
THRESHOLD FOR EXTERIOR SWING DOORS



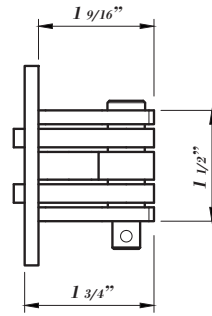
DOUBLE BUTTERFLY HINGE

FOR SWING DOORS AND CASEMENT WINDOWS

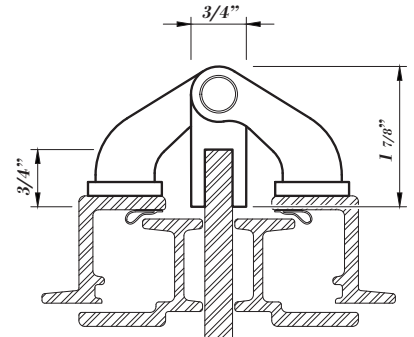
ALSO AVAILABLE AS A SINGLE SIDE HINGE



SIDE



FRONT



ABLE TO ATTACH TO SWISS MULLION OR FLATBAR MULLION

TOP

OVER-CENTER AWNING OPERATOR

FOR USE WITH AWNING WINDOWS ONLY

LOCKS IN CLOSED AND OPEN POSITION

HANDLE IN OPEN POSITION ALSO
DOUBLES AS A SAFETY GUARD

