

STUDIO CORTEZ

CRAFT FENESTRATION & HARDWARE

TECHNICAL CATALOG

2023

SANTA PAULA - CALIFORNIA

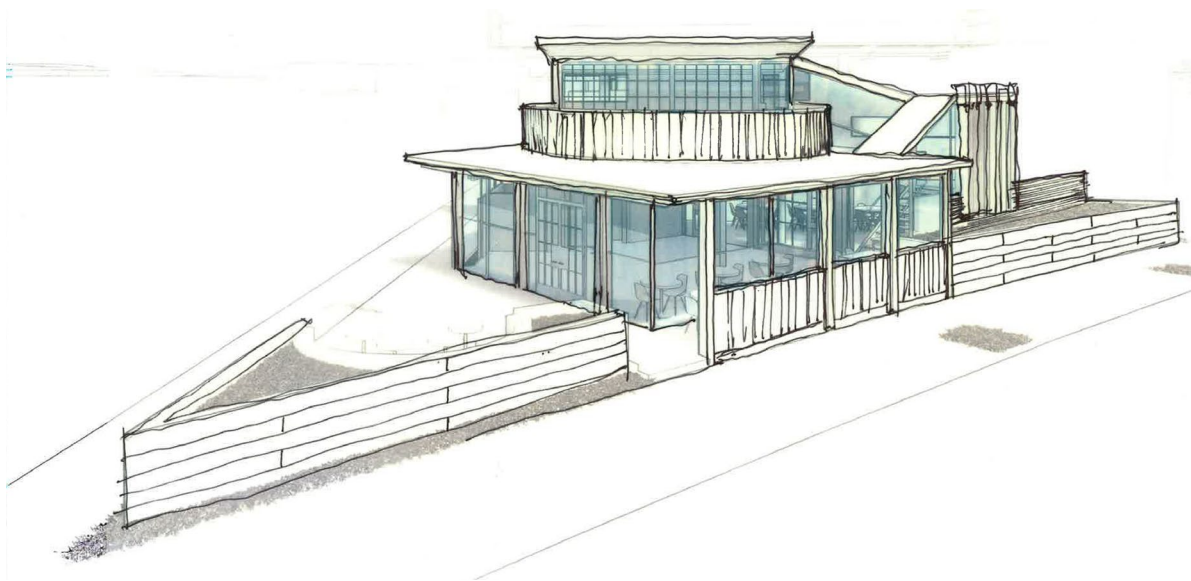


TABLE OF CONTENTS

Introductory

Table of Contents.....	01
Introduction.....	02
Steel Stock Profiles.....	03
Anatomy of a Door and Window.....	04
Glazing Overview.....	06

Technical Data

Waterproofing Requirements.....	07
Door and Window Installation.....	08
Mullions and Couplings.....	12
Hardware Options.....	14
Studio Cortez Hardware.....	16

Door Systems

Studio Cortez Swing Door.....	22
Studio Cortez Sliding Door.....	24
Studio Cortez Door Attachments.....	27
Tube Swing Door.....	28
Tube Sliding Door.....	30
Tube Door Attachments.....	32

Window Systems

Fixed Grid Windows.....	34
Casement Operable Windows.....	34
Awning Operable Windows.....	36
Hopper Operable Windows.....	38
Window Attachments.....	40
Simple-Set Window System.....	42

Storefront Systems

Interior Knockdown.....	46
Exterior Storefront.....	48

Skylight Systems

Fixed Grid Skylight.....	52
Inclined Skylight.....	54

Appendix

Studio Cortez Limited Warranty.....	57
-------------------------------------	----

The Studio Cortez Story

For nearly four decades, we have been quietly honing our craft in construction, architectural design, and precision fabrication as a boutique service provider for high-end historic reuse projects across all of Los Angeles.

We were founded on the principle of designing with “quality of character” - meaning that we embrace natural characteristics of the materials and environments for which we design. To not imposing our will, but to reveal and enhance the inherent qualities that are present.

Our depth of knowledge spans every aspect of creating well-balanced and timeless spaces, and our products are the culmination of a lifetime of experience. They represent not just the skill our our hands but nearly 40 years of design, execution and refinement, all distilled into a singular expression of craft.

Our Products and Process

Although much of our design and production is standardized, our unique value lies in highly customizable products that balance historic and modern. Our goal is to create contemporary doors and windows that could have been made a 100 years ago and built to last for the next century. Our timeless designs will look just as good then as they do now.

In our desire to express the nature and process of everything we do, we’ve sourced a durable clear finish that exposes the inherent character of the materials and the skill of the craftspeople who made it.

Our precision welds remain visible and our textured patinas give each of our products the one-of-kind look that can only be found in true handmade products. Every piece is unique, but every piece is built to the same high standard.

**“Quality is not a mistake or merely stumbled upon...
It is the result of a culture of dedicated focus and hard work.”**

Our Guiding Principles

1. Design for “Quality of Character”

We embrace the inherent characteristics of the space, the material, and process and work to enhance their qualities rather than imposing our will.

2. Providing what isn’t available elsewhere

We create products that are unique to us, products that add a distinct character and soul to the environments they exist in.

3. Excellence in execution

We strive to master the fundamentals in everything we do and executing to the highest level so that the end result is always greater than the sum of its parts.

4. Elegance through practicality

We see clearly what needs to be done, and we aim to accomplish our goals in the simplest and most elegant way we can.

5. Straightforward Sincerity

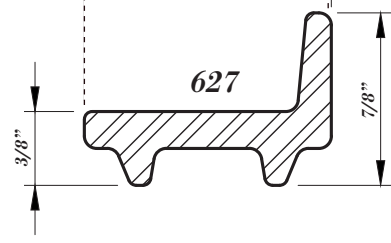
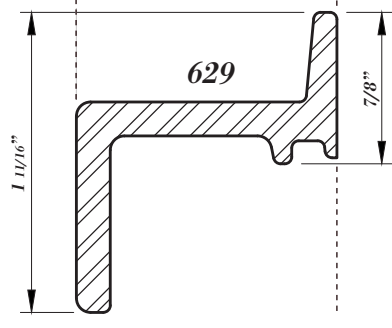
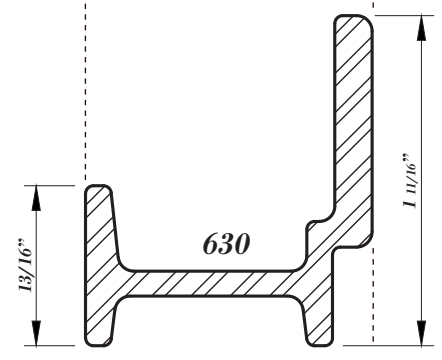
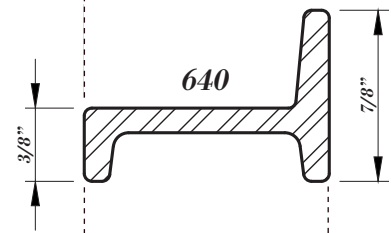
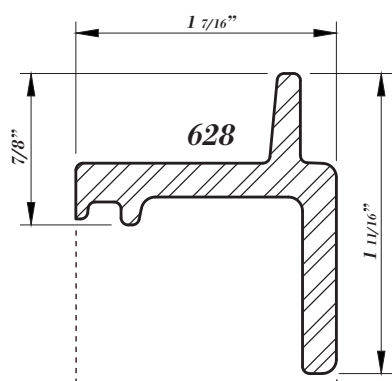
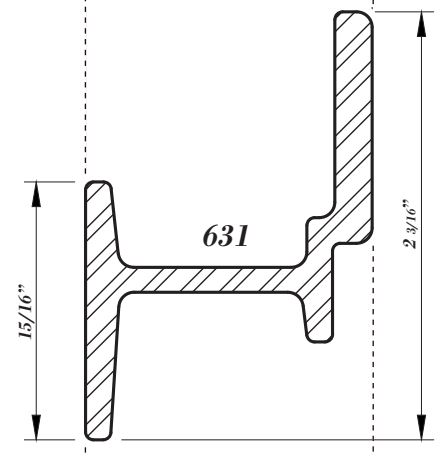
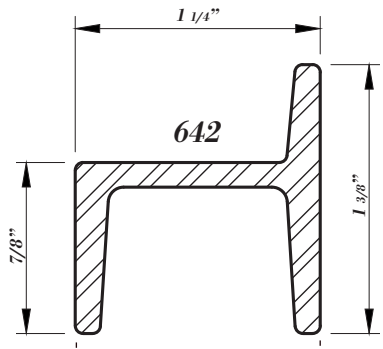
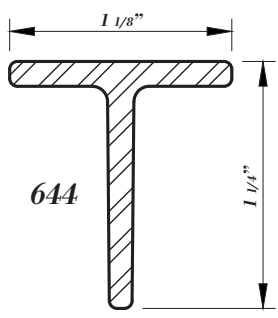
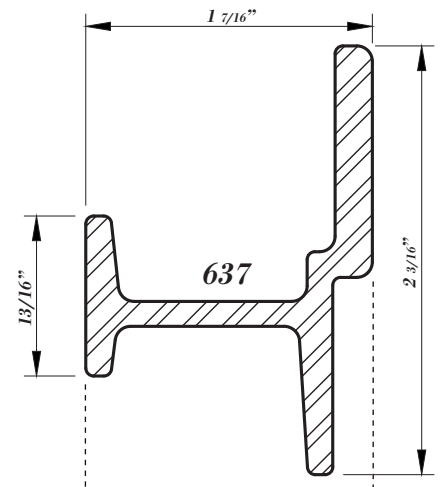
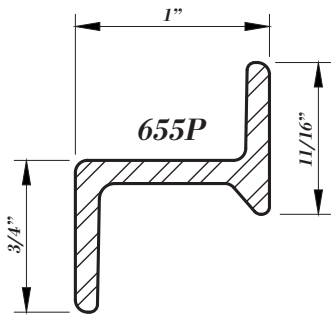
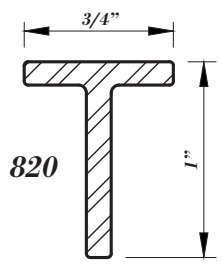
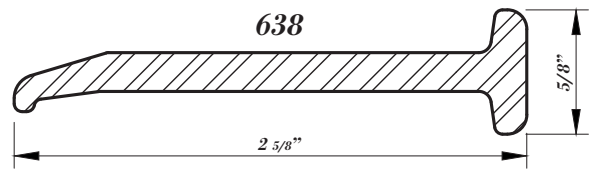
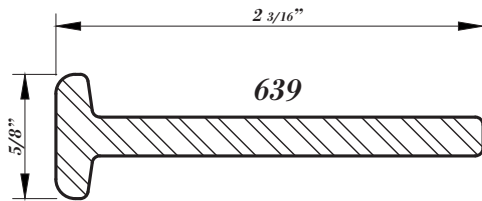
We value transparency and honesty in what we say and do. We do not rely on hype or false bravado, we let our work speak for us. What you see is who we are.

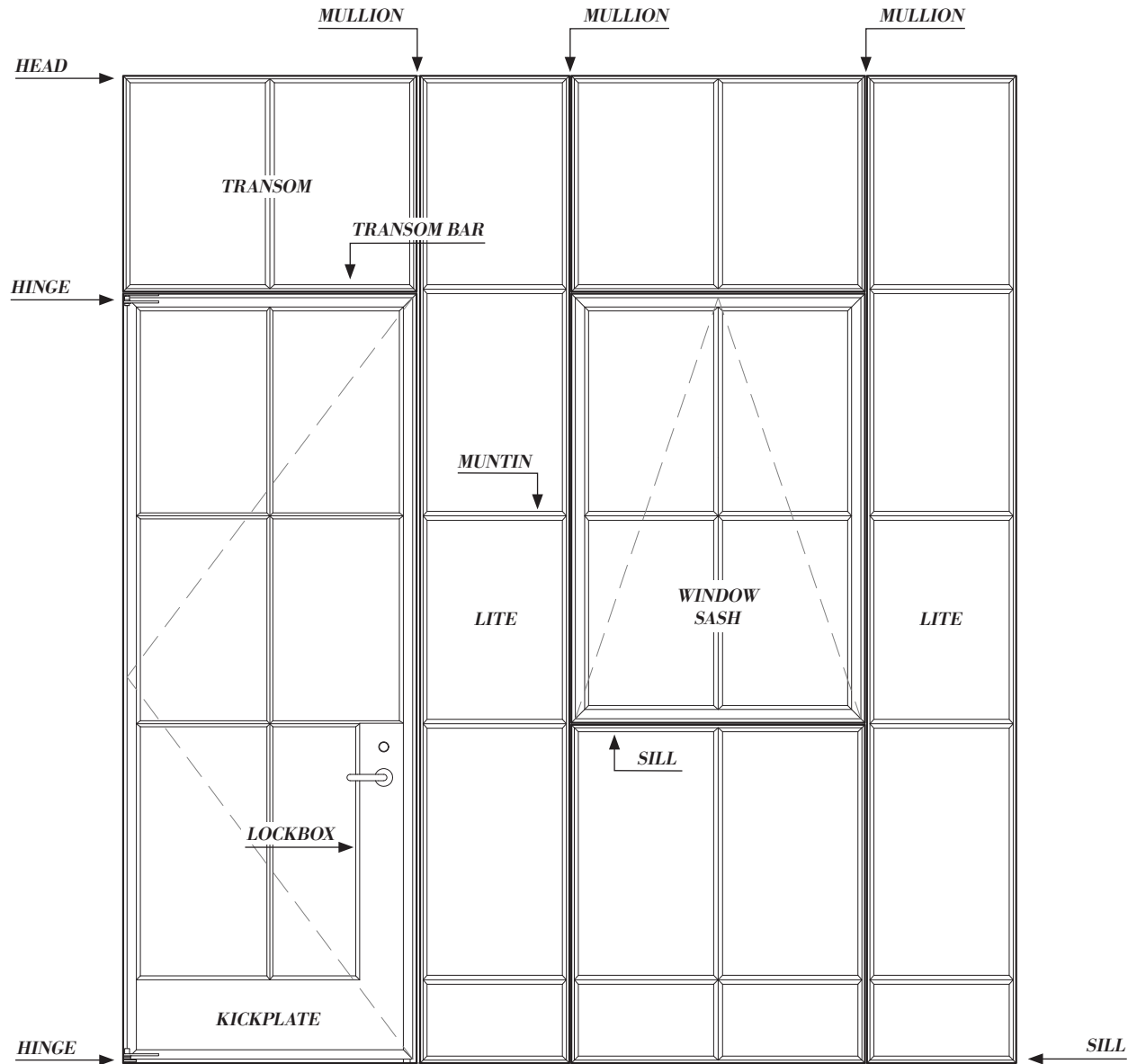
OUR STANDARD PROFILES

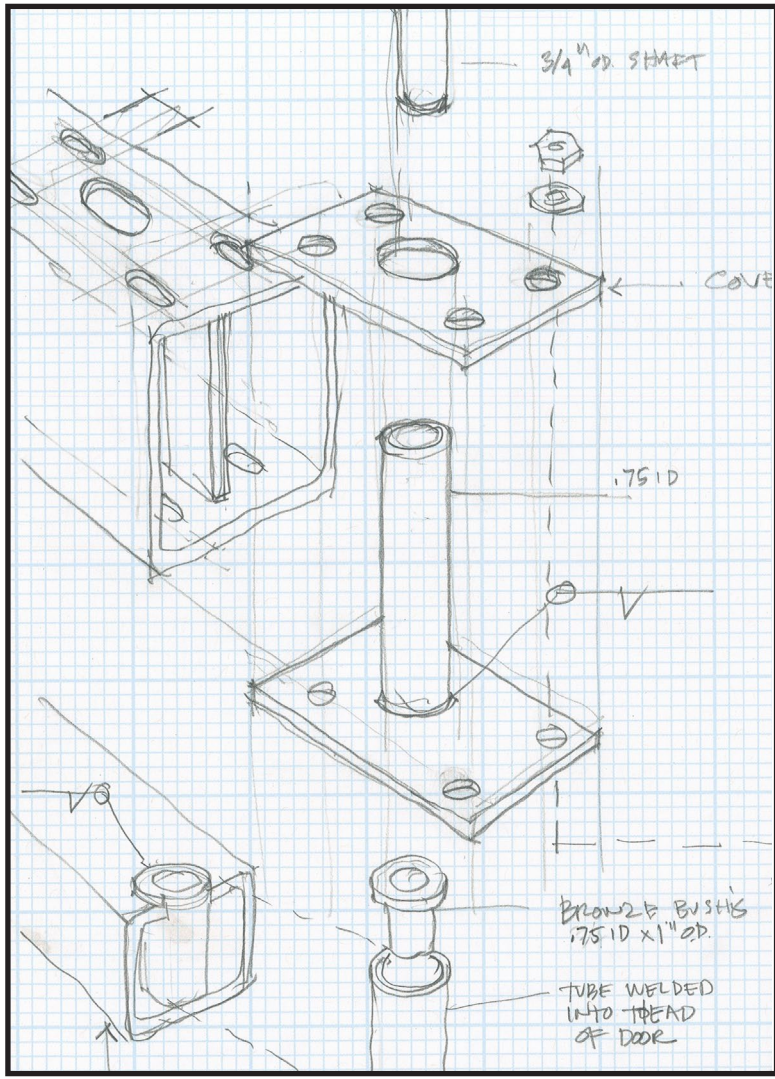
These are historic profiles and have been used in steel doors and windows for over 100 years.

All profiles are hot rolled and manufactured in Switzerland.

Shapes are shown true to size.







GLAZING SPECIFICATIONS

Standard thickness glazing is typically 1/4" for interior and 5/8" double pane IGU for exterior.

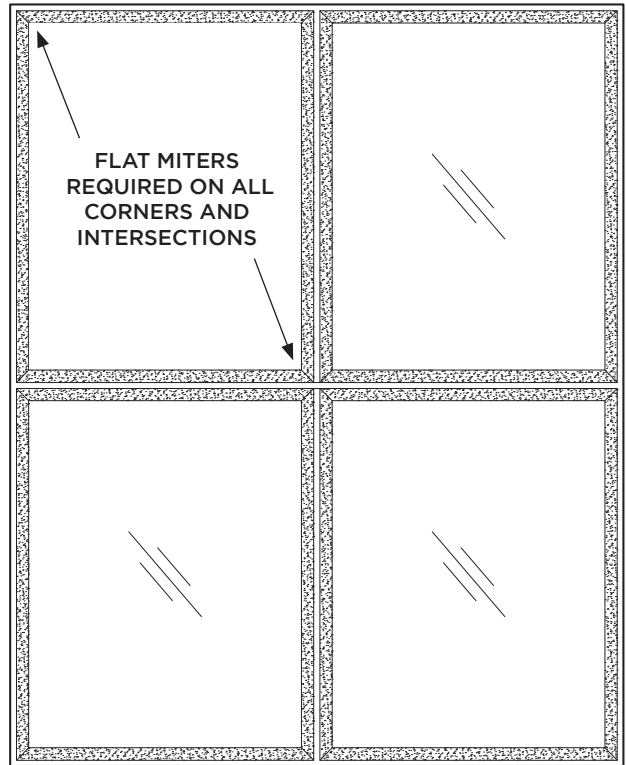
1" glazing available for specialty applications.

Black silicone sealant used for standard interior and exterior applications.

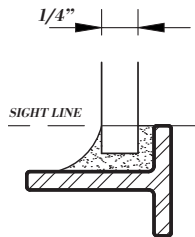
Alternate sealant must be similarly approved.

IGU panel spacers will not exceed flange width and will remain out of sight line.

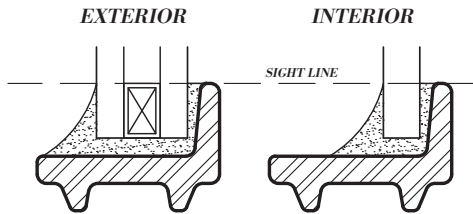
Caulking is typically applied with a 45 deg. curve.



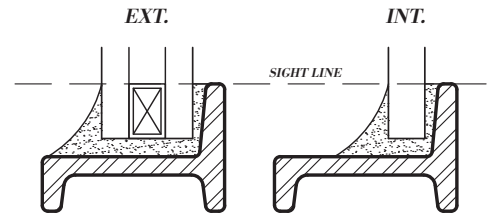
STC RATINGS	1/4"	3/8"	1/2"	5/8"	1"
SINGLE PANE	29	30	36	-	-
LAMINATE	34	36	37	-	-
IGU	-	-	-	31	35
LAMINATE IGU	-	-	-	36	39



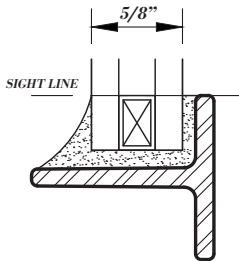
PROFILE 320



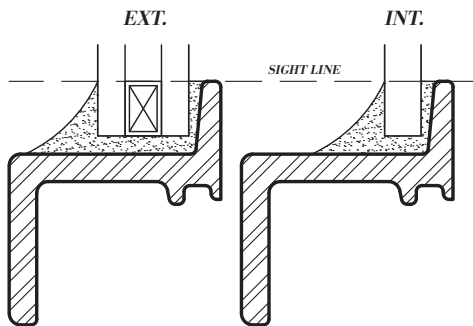
PROFILE 627



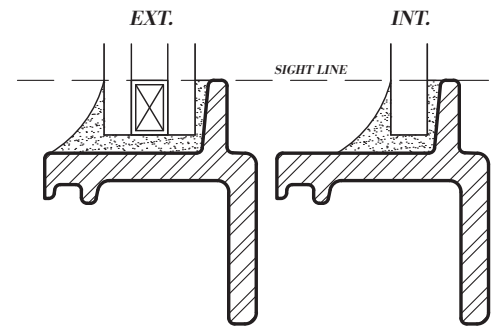
PROFILE 640



PROFILE 644



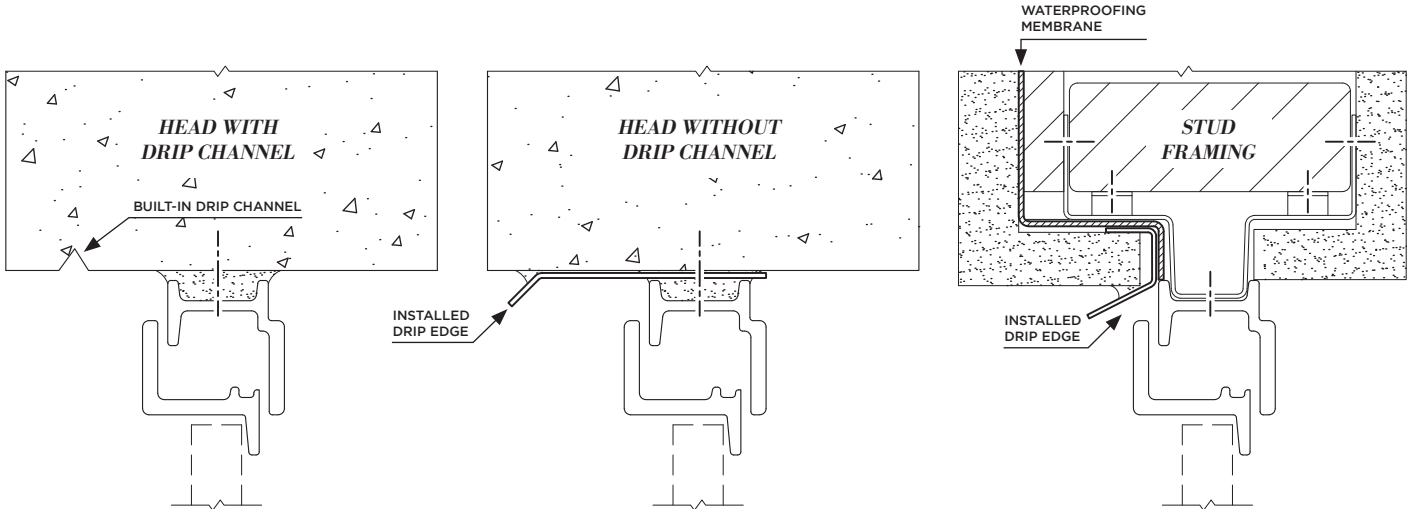
STANDARD SASH



REVERSE SASH

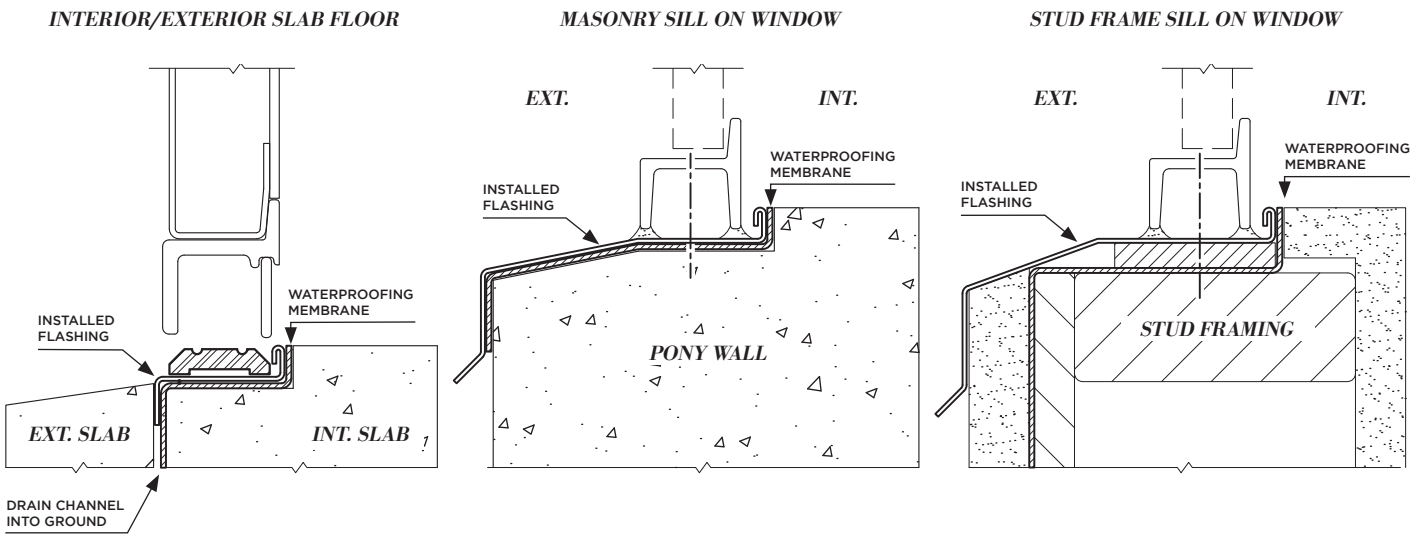
EXTERIOR HEAD CONDITIONS

Exterior head conditions apply for doors and both fixed and operable windows.



EXTERIOR SILL CONDITIONS

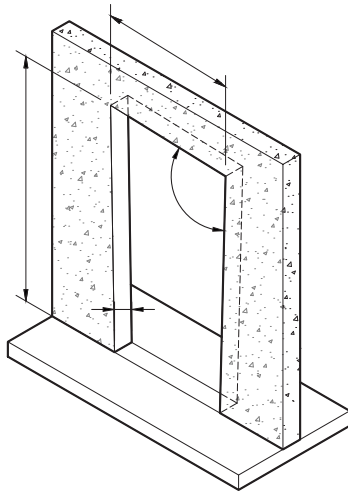
Floor condition applies for both doors and windows.
Exterior sill conditions apply for both fixed and operable windows.



1

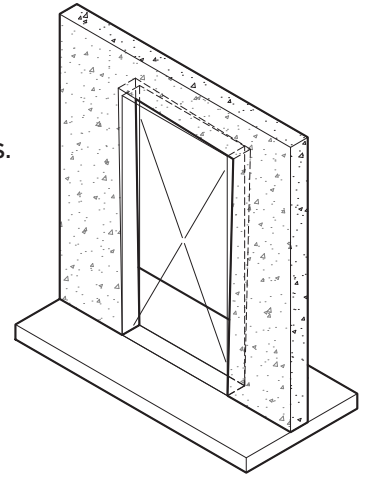
REVIEW OPENING TO FIELD MEASUREMENTS AND DRAWINGS.

CORRECT DRAWINGS IF THERE ARE ANY INCONSISTENCIES AS IT MAY AFFECT INSTALLATION.



2

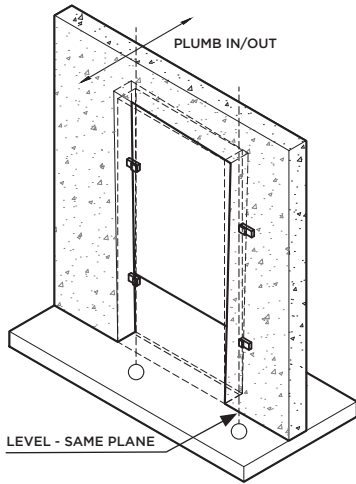
USE LASER LEVEL TO MEASURE OPENING AND ASSESS ANY OUT-OF-PLANE ISSUES.



3

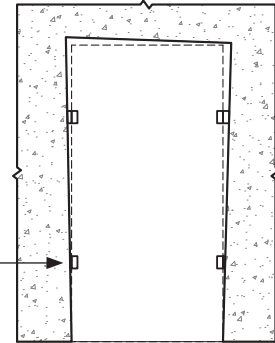
LOCATE FRAME WITHIN JAMB, SET LEVEL AND PARALLEL TO THE FACE OF WALL.

INSTALL LIMITING BLOCKS AS NEEDED SO THAT DOOR CAN BE SET IN AT THE CORRECT POSITION.



WHEN SIZED CORRECTLY, DOOR FRAME SHOULD FIT WITHIN THE OPENING PLUMB AND LEVEL.

LOCATE TEMPORARY BLOCKS WHERE IT WILL NOT CONFLICT WITH INSTALL CLIPS

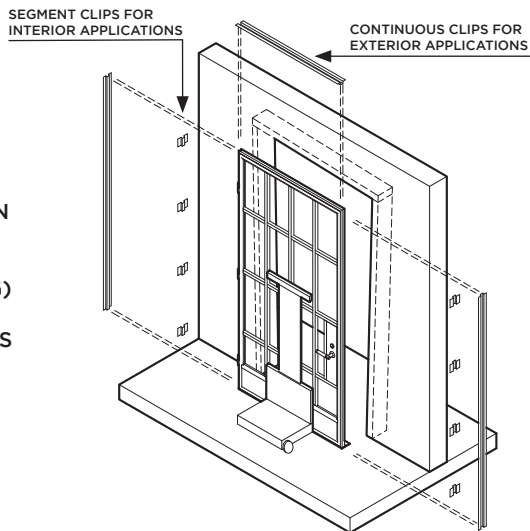


4a

IF CLIPS ARE REQUIRED:

SET DOOR ASSEMBLY ON DOOR JACK. (AWAY FROM DOOR SWING)

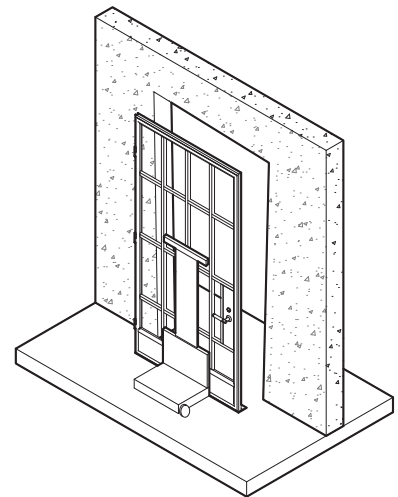
INSTALL CLIPS ONTO DOOR FRAME.



4b

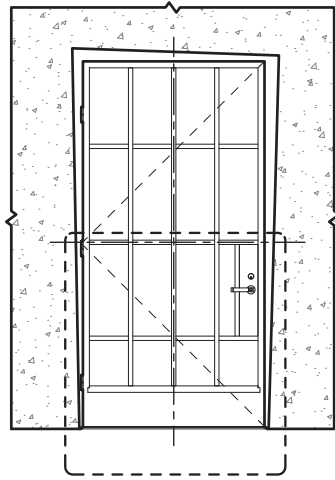
WITHOUT CLIPS:

SET DOOR ASSEMBLY ON DOOR JACK. (AWAY FROM DOOR SWING)



5

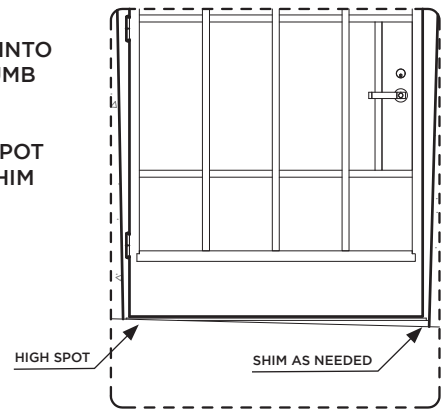
SET DOOR ASSEMBLY INTO POSITION AGAINST LIMITING BLOCKS.



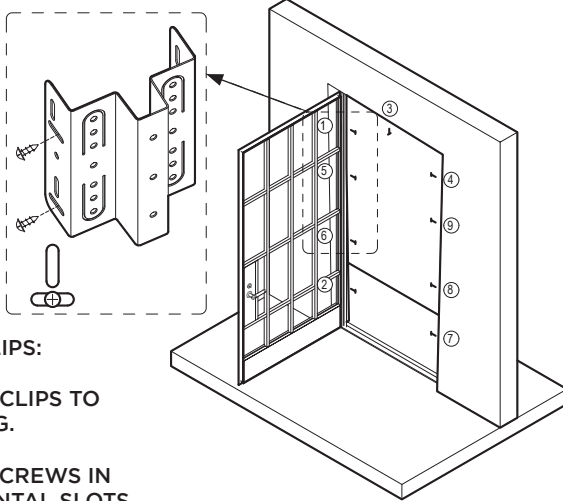
6

LOWER DOOR INTO OPENING - PLUMB AND LEVEL.

SET ON HIGH SPOT IN OPENING, SHIM AS NEEDED.



7a

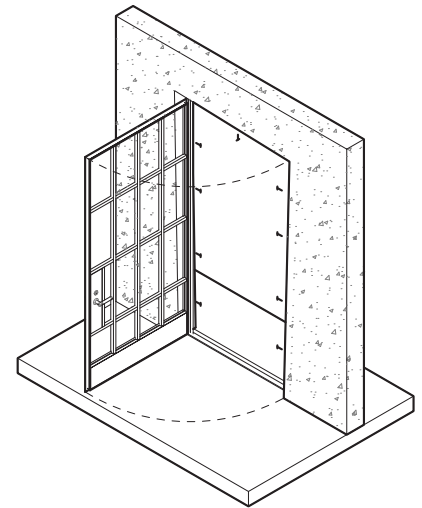


WITH CLIPS:

FASTEN CLIPS TO OPENING.

PLACE SCREWS IN HORIZONTAL SLOTS.

7b



WITH OUT CLIPS:

SWING OPEN DOOR

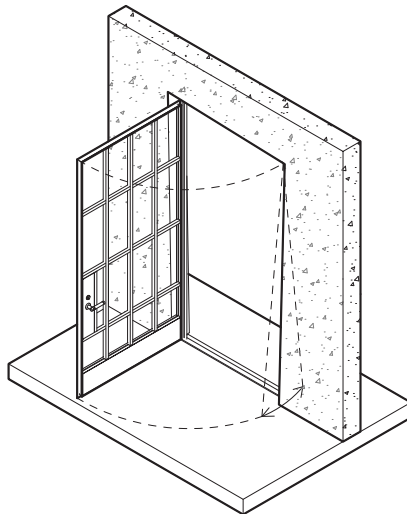
FASTEN FRAME TO OPENING.

8

DOUBLE CHECK ALIGNMENTS.

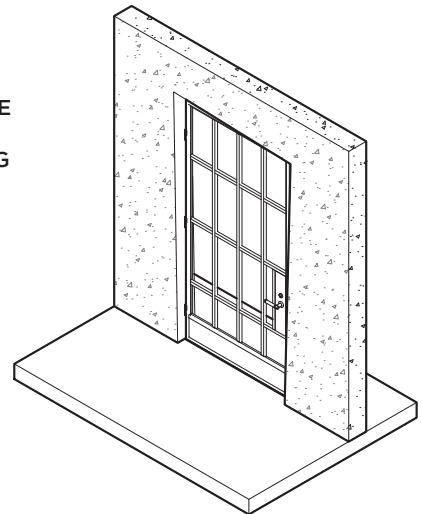
OPEN AND CLOSE DOOR TO IDENTIFY AND CORRECT ANY PROBLEMS.

IF NEEDED, ADJUST LATCH SIDE FRAME TO ALIGN DOOR.



9

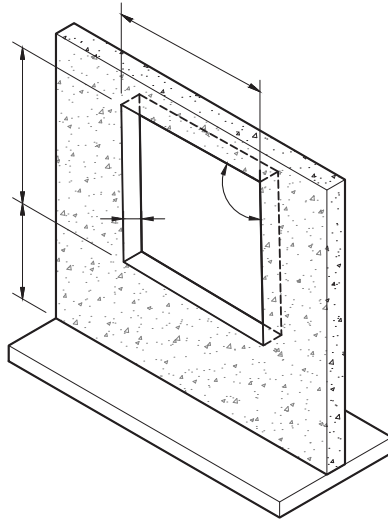
FINISHED DOOR SHOULD BE SECURE WITHOUT ANY MOVEMENT DURING OPERATION.



1

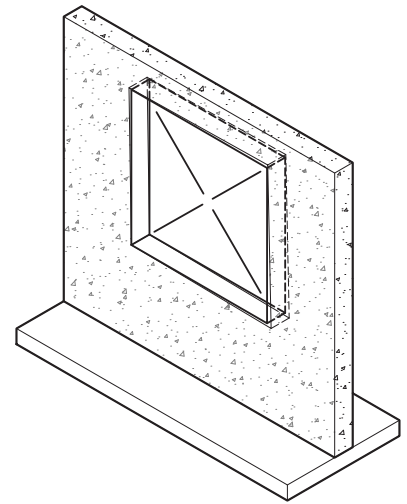
REVIEW OPENING TO FIELD MEASUREMENTS AND DRAWINGS.

CORRECT DRAWINGS IF THERE ARE ANY INCONSISTENCIES AS IT MAY AFFECT INSTALLATION.



2

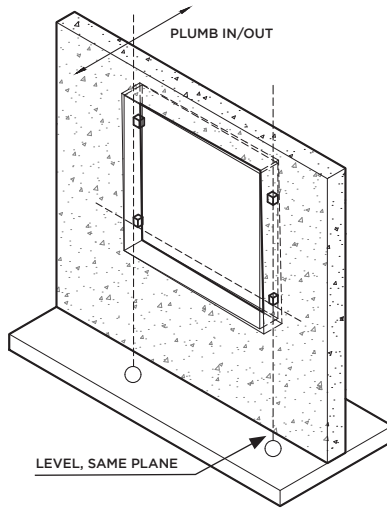
USE LASER LEVEL TO MEASURE OPENING AND ASSESS ANY OUT OF PLANE ISSUES.



3

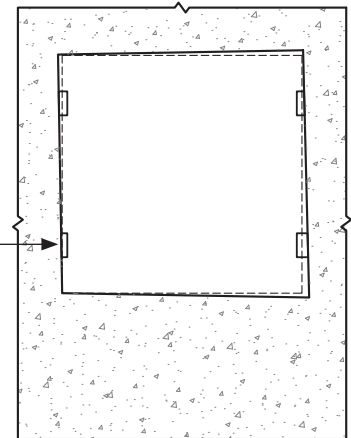
LOCATE FRAME WITHIN OPENING, SET LEVEL AND PARALLEL TO THE WALL.

INSTALL LIMITING BLOCKS AS NEEDED SO THAT WINDOW CAN BE SET IN AT THE CORRECT POSITION.



WHEN SIZED CORRECTLY, FRAME SHOULD FIT WITHIN THE OPENING PLUMB AND LEVEL.

LOCATE TEMPORARY BLOCKS WHERE IT WILL NOT CONFLICT WITH INSTALL CLIPS

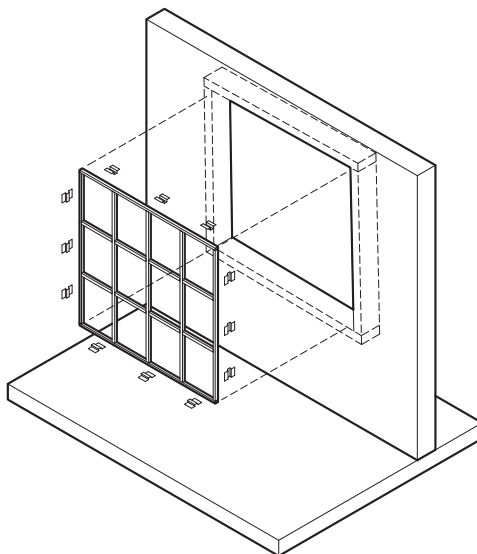


4a

IF CLIPS ARE REQUIRED:

INSTALL CLIPS ONTO WINDOW FRAME.

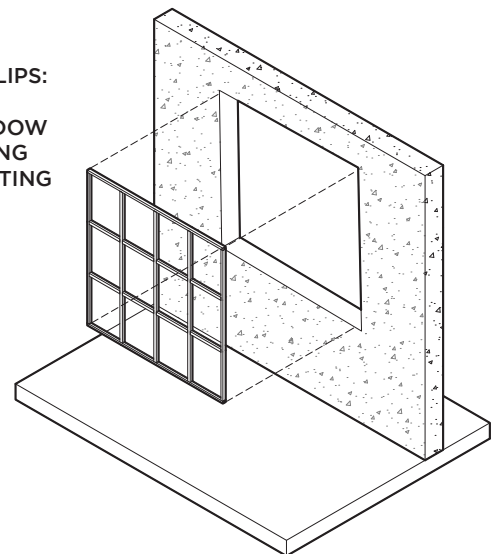
PLACE WINDOW INTO OPENING AGAINST LIMITING BLOCKS.



4b

WITHOUT CLIPS:

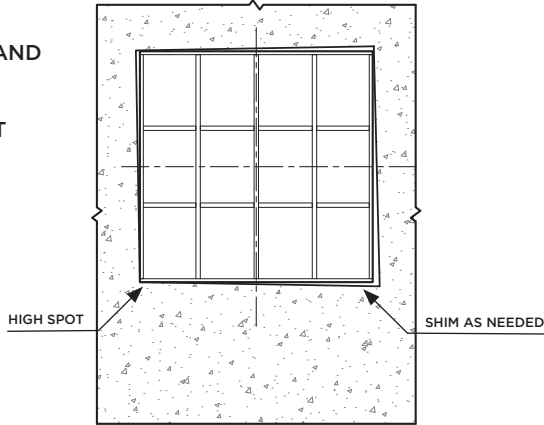
PLACE WINDOW INTO OPENING AGAINST LIMITING BLOCKS.



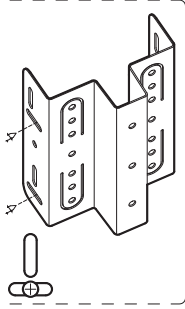
5

ENSURE WINDOW FRAME IS PLUMB AND LEVEL.

SET ON HIGH SPOT IN OPENING, SHIM AS NEEDED.



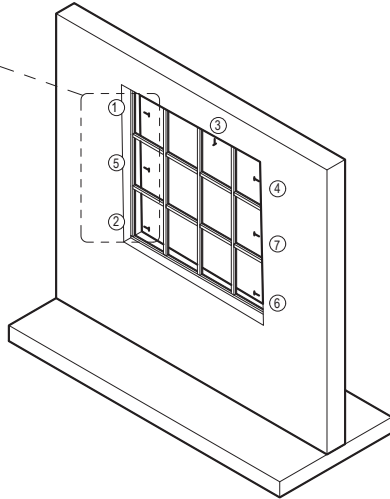
6a



WITH CLIPS:

FASTEN CLIPS TO OPENING.

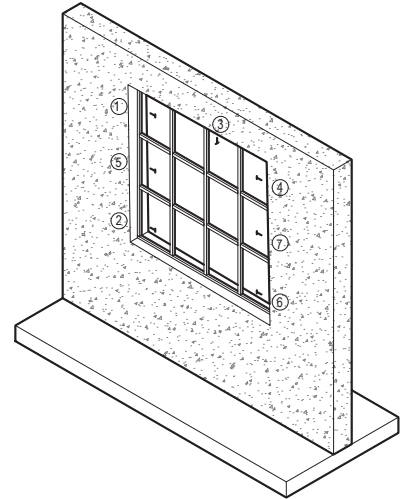
PLACE SCREWS IN HORIZONTAL SLOTS.



6b

WITH OUT CLIPS:

FASTEN FRAME TO OPENING.

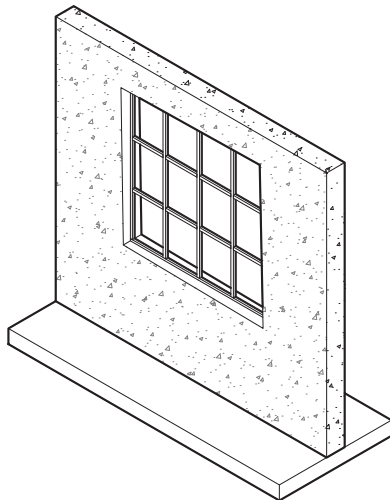


1

REVIEW INSTALLED WINDOW AND IDENTIFY ANY PROBLEMS.

IF OPERABLE, TEST OPERATION FOR ANY ISSUES OR MOVEMENT.

FINISHED WINDOW SHOULD BE SECURE AND WITHOUT MOVEMENT.



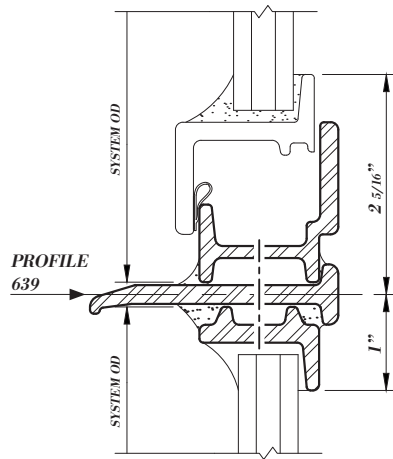
COUPLING SYSTEMS

Two or more units of Studio Cortez sashes may be combined in one opening by joining them with our mullions and coupling systems.

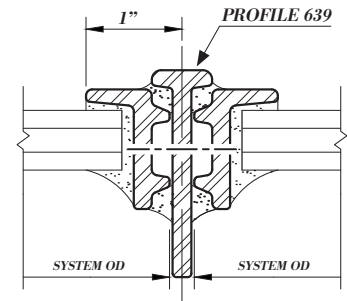
In conditions where a fixed sash transitions to an operable sash, a member will be required for rigidity.

In openings where both mullions and transoms occur, the mullion will typically run the full height of the opening.

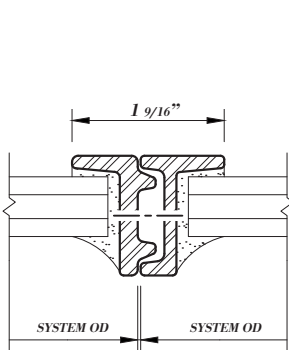
For transoms that are oversized for large format doors, the transom will be dominant.



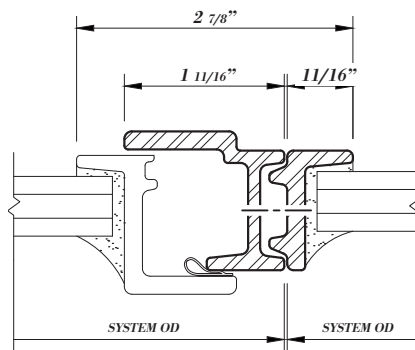
HORIZONTAL MULLION



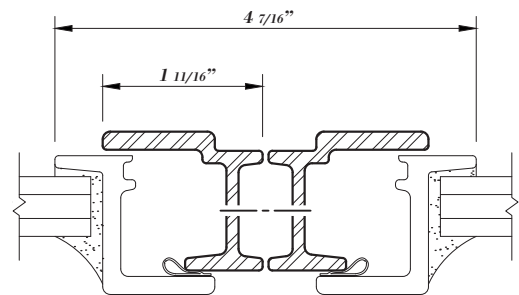
VERTICAL MULLION



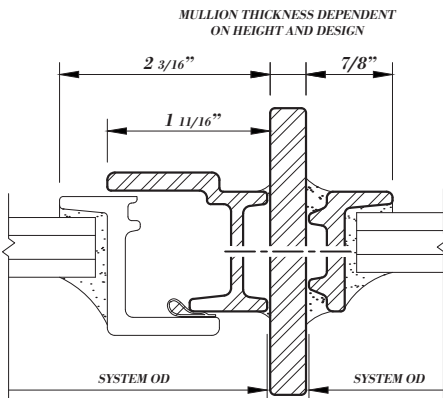
FIXED TO FIXED



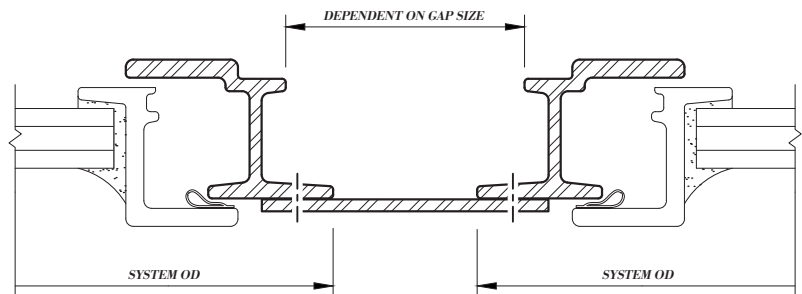
OPERABLE TO FIXED



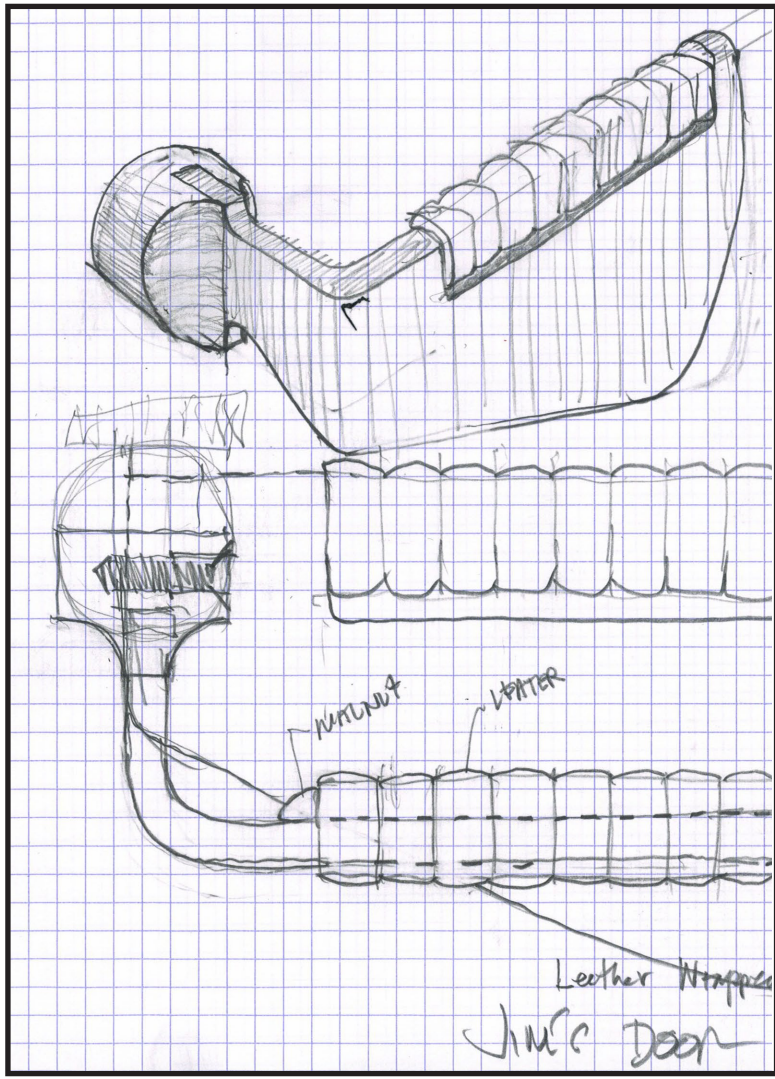
OPERABLE TO OPERABLE



SOLID MULLION



CONNECTING PLATE



SWING DOOR HARDWARE

Lock Chassis

Schlage

- L-Series LV 9453 (Exterior)
- L-Series LV 9456 (Interior)
- L-Series L9494 (Electrified)

Baldwin

- 6325 Handle Set Lock
- 6812 Lever Lock

Handles

Schlage

- 03 Lever

Studio Cortez

- Push Pull Handle
- Cortez Bar Handle
- Round Bar Handle

Escutcheons

Schlage

- L-Series Rose Only (Type A)
- L-Series Full Face

Hinges

Paumelles

- 100mm Bullet Hinge

Rixson

- L147 Pivot Hinge

Studio Cortez

- Offset Pivot Hinge (Top & Bottom)
- Mounted Swing Hinge

Closers

Dorma

- 8616 PH

Allegion

- 440XP

Latches

Von Duprin

- Panic Bar

Studio Cortez

- Cortez Cane Bolt
- Gear Lever Cremone

SLIDING DOOR HARDWARE

Handles

Studio Cortez

- Single/Double Peacock Handle
- Cortez Bar Handle
- Round Bar Handle
- Wrap Around Handle

Top Hung Track

Cavity Slider

- Cavi Track (Single & Double)
- Heavy Duty Track
- M8 Carriage

Bottom Roller Track

Hanging Door Hardware

- 918 Bottom Track - Surface Mount

Studio Cortez

- Custom Slider Top Track
- Custom Slider Bottom Track

PIVOT DOOR HARDWARE

In-ground Pivot Closers

Dorma

- BTS80

CRL

- Jackson J993H0D
- Jackson J580DU

DOOR ACCESSORIES

Studio Cortez

- Standard Brass Threshold

Deltana

- Floor Bumper 2 (1/8" Solid Brass)

AWNING WINDOW HARDWARE

Handles

Blaine Window Hardware
Project Out Cam (00436)

Hinges

Studio Cortez
Double Butterfly Hinge

CRL
10" 4-Bar Hinge (430210)
12" 4-Bar Hinge (430212)
16" 4-Bar Hinge (430216)
20" 4-Bar Hinge (430220)
24" 4-Bar Hinge (430224)

Paumelles
80mm Bullet Hinge

Operators

Studio Cortez
Over-Center Operator

CASEMENT WINDOW HARDWARE

Handles

Blaine Window Hardware
Project Out Cam (00436)

Hinges

Studio Cortez
Double Butterfly Hinge

CRL
10" 4-Bar Hinge (430210)
12" 4-Bar Hinge (430212)
16" 4-Bar Hinge (430216)
20" 4-Bar Hinge (430220)
24" 4-Bar Hinge (430224)

Paumelles
80mm Bullet Hinge

Friction Stays

CRL
8" Friction Adjuster (EP24051)
10" Friction Adjuster (EP24052)
12" Friction Adjuster (EP24053)

HOPPER WINDOW HARDWARE

Handles

Blaine Window Hardware
Thru the Rail Cam (00243)

CRL
Project-In Transom Latch & Keeper (H3594)

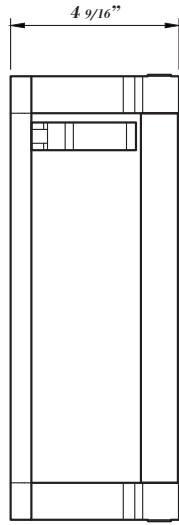
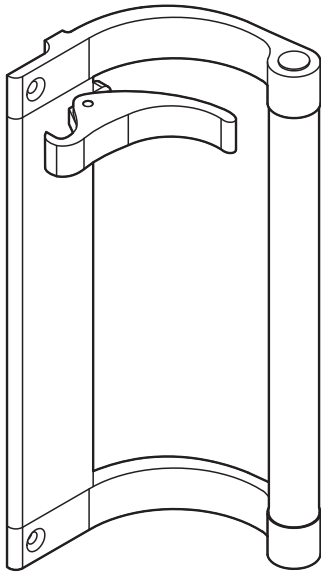
Hinges

Studio Cortez
Double Butterfly Hinge

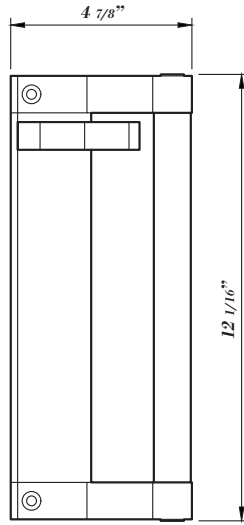
CRL
10" 4-Bar Hinge (430210)
12" 4-Bar Hinge (430212)
16" 4-Bar Hinge (430216)
20" 4-Bar Hinge (430220)
24" 4-Bar Hinge (430224)

Paumelles
80mm Bullet Hinge

DOUBLE PEACOCK SLIDER HANDLE

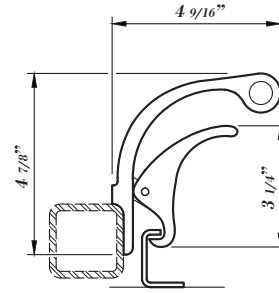


SIDE



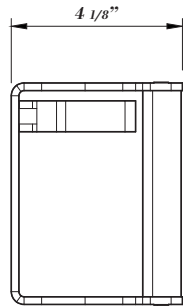
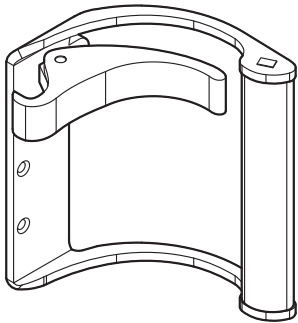
FRONT

FOR USE WITH TUBE STEEL SLIDING DOORS
 BILLET STEEL CONSTRUCTION
 THUMB OPERATED MAGNETIC HOOK LATCH
 LEATHER WRAPPING AVAILABLE

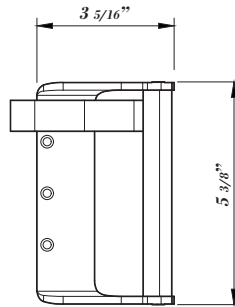


TOP

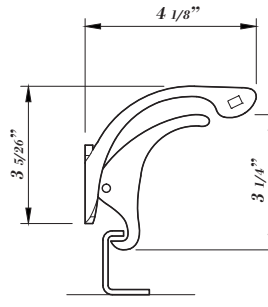
SINGLE PEACOCK SLIDER HANDLE



SIDE



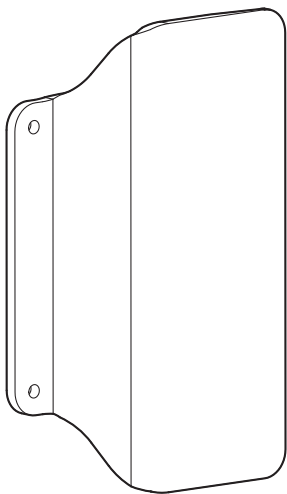
FRONT



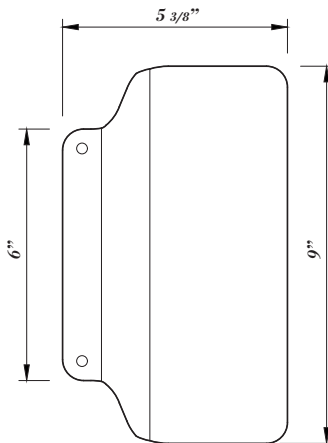
TOP

FOR USE WITH SLIDING DOORS
 BENT PLATE CONSTRUCTION
 THUMB OPERATED MAGNETIC HOOK LATCH
 MACHINED BRASS GRIP BAR

PUSH/PULL SWING DOOR HANDLE

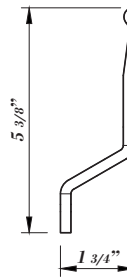


SIDE



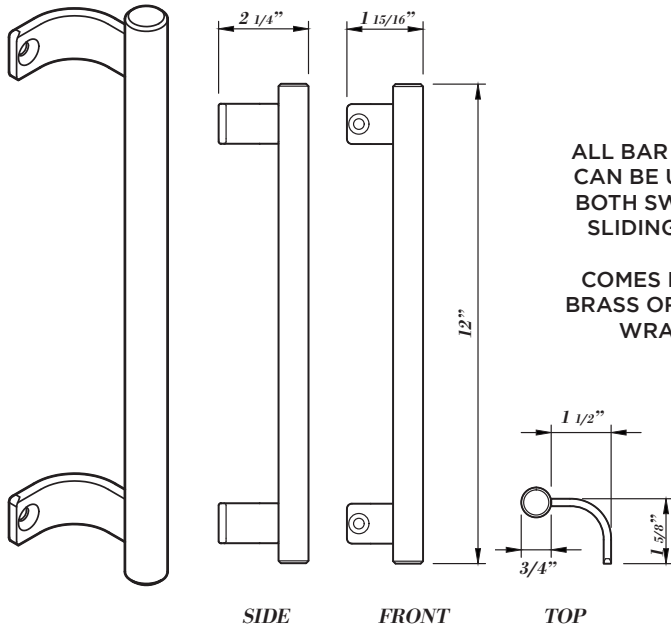
FRONT

FOR USE WITH SWING DOORS
 BENT BRASS PLATE CONSTRUCTION
 POLISHED OR SATIN FINISH AVAILABLE



TOP

ROUND BAR HANDLE

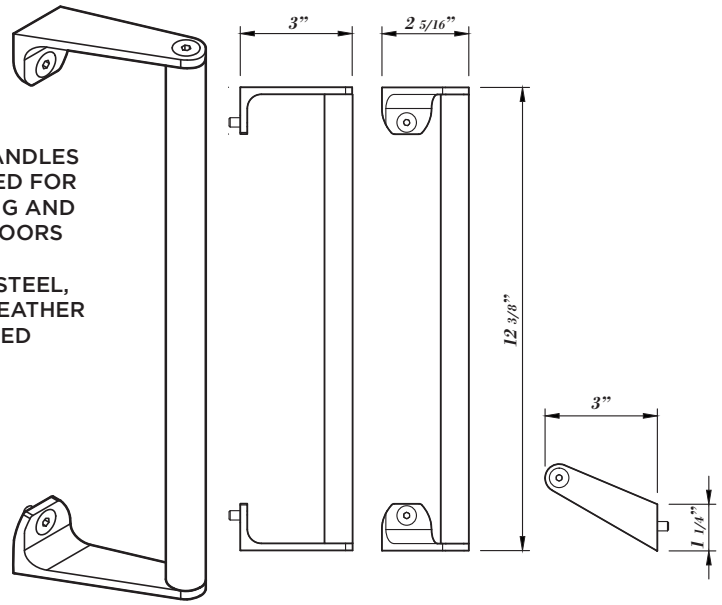


SIDE

FRONT

TOP

CORTEZ BAR HANDLE



SIDE

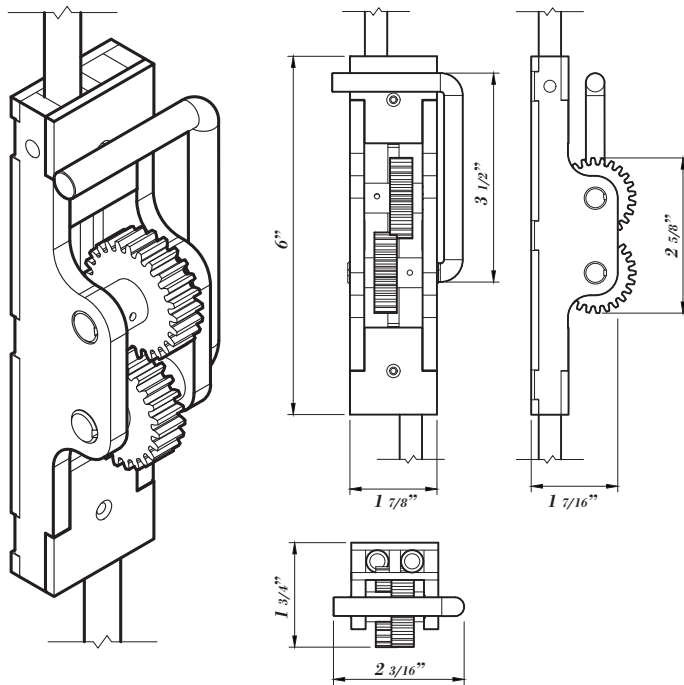
FRONT

TOP

ALL BAR HANDLES
CAN BE USED FOR
BOTH SWING AND
SLIDING DOORS

COMES IN STEEL,
BRASS OR LEATHER
WRAPPED

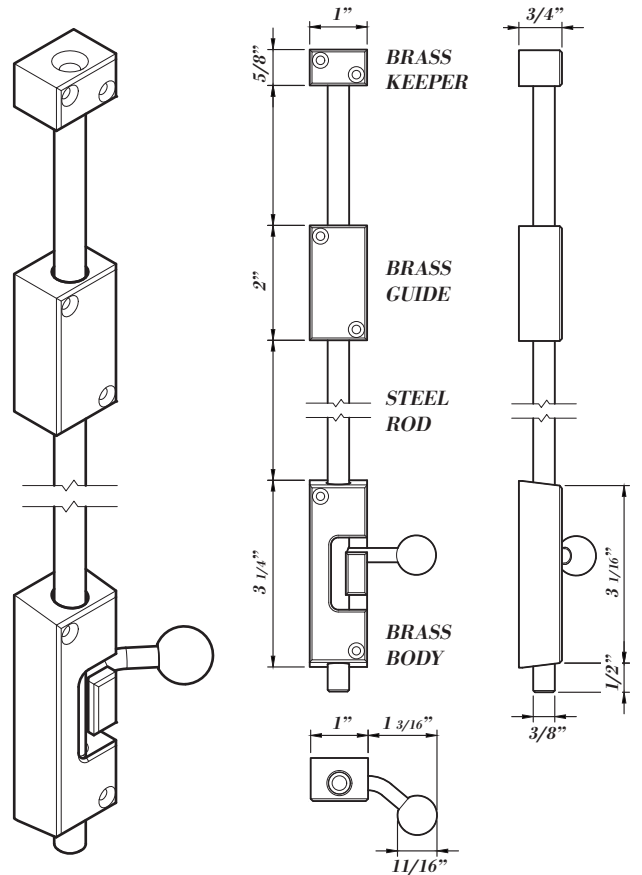
GEAR LEVER CREMONE



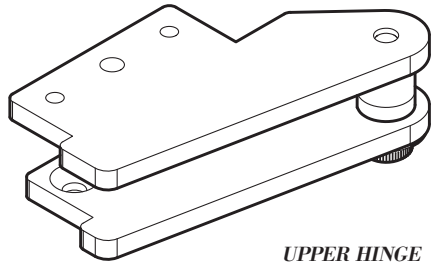
FOR USE WITH DOUBLE DOORS

LEATHER WRAPPING AVAILABLE FOR HANDLE

CORTEZ CANE BOLT



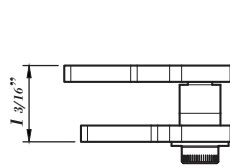
OFFSET PIVOT HINGE



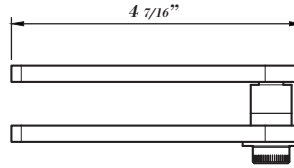
UPPER HINGE

FOR USE WITH SWING DOORS AND CASEMENT WINDOWS

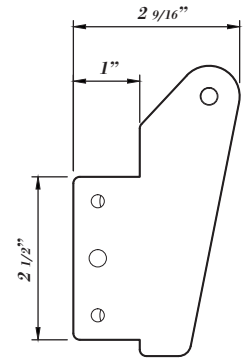
HEIGHT ADJUSTABLE AND REMOVABLE FOR MAINTENANCE



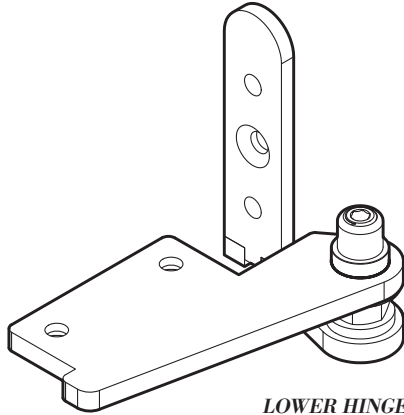
SIDE



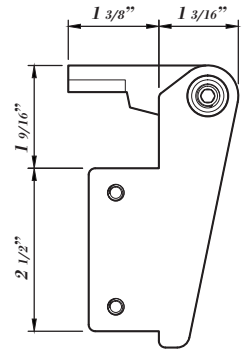
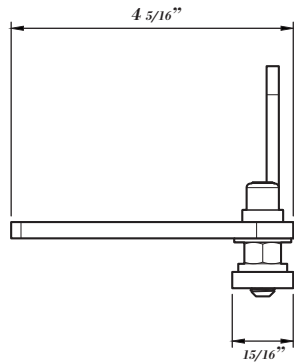
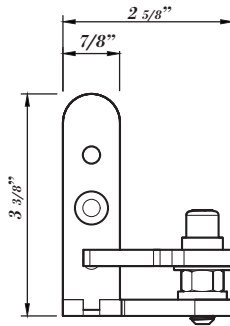
FRONT



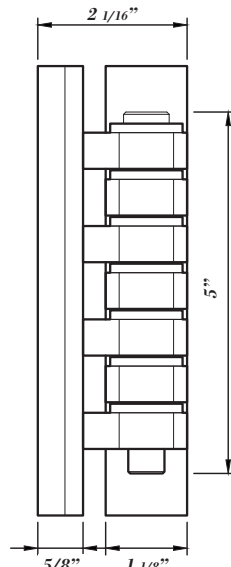
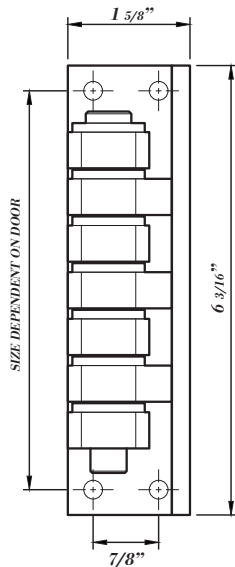
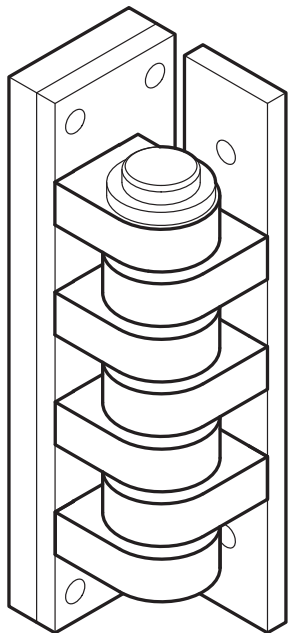
TOP



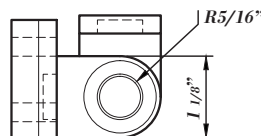
LOWER HINGE



MOUNTED SWING HINGE

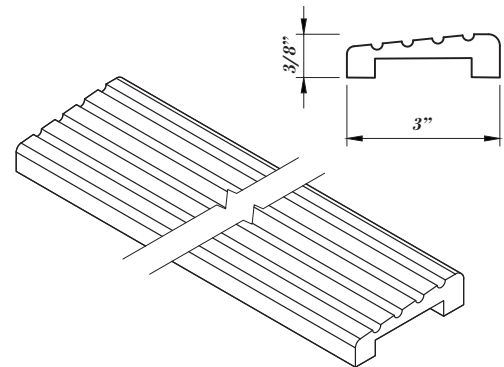


FOR USE WITH LARGE FORMAT TUBE STEEL SWING DOORS



BRASS THRESHOLD

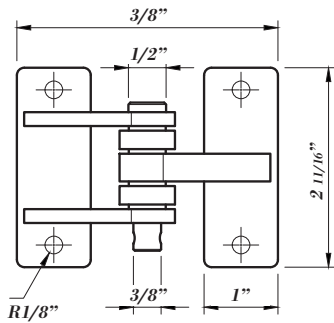
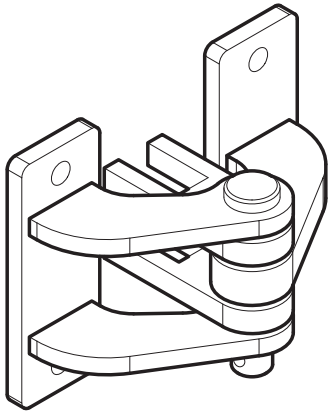
THRESHOLD FOR EXTERIOR SWING DOORS



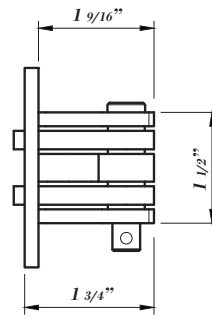
DOUBLE BUTTERFLY HINGE

FOR SWING DOORS AND CASEMENT WINDOWS

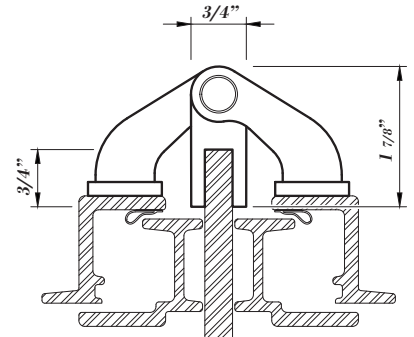
ALSO AVAILABLE AS A SINGLE SIDE HINGE



SIDE



FRONT



ABLE TO ATTACH TO SWISS MULLION OR FLATBAR MULLION

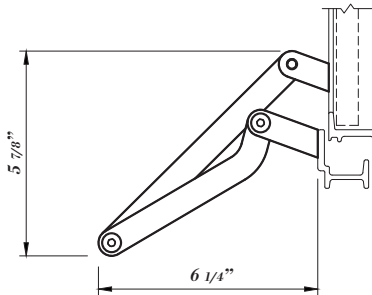
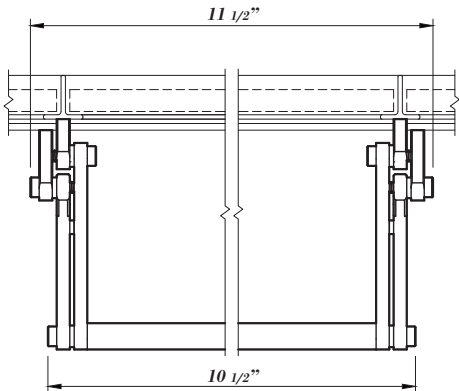
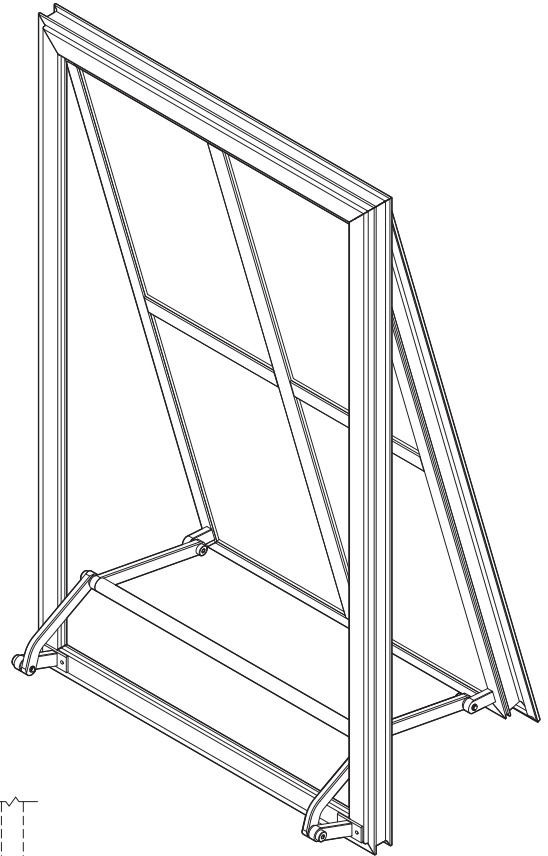
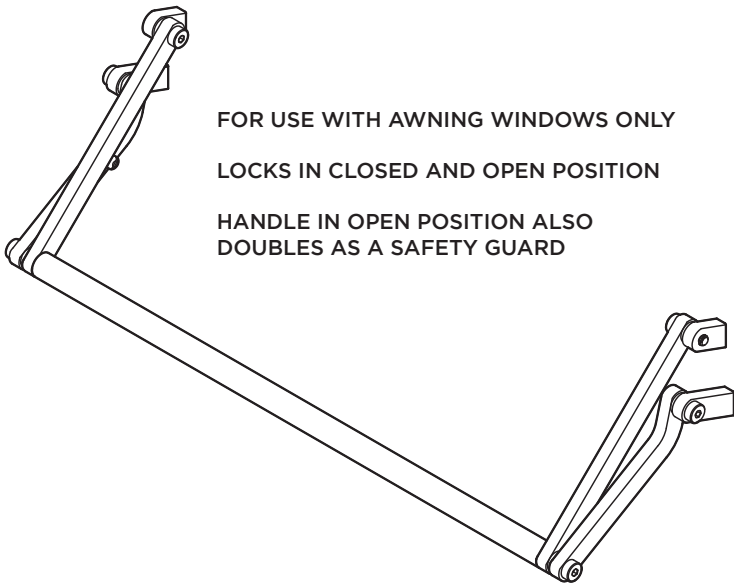
TOP

OVER-CENTER AWNING OPERATOR

FOR USE WITH AWNING WINDOWS ONLY

LOCKS IN CLOSED AND OPEN POSITION

HANDLE IN OPEN POSITION ALSO
DOUBLES AS A SAFETY GUARD





CORTEZ SWISS STEEL DOOR

FOR BOTH INTERIOR AND EXTERIOR

IN SWING OR OUT SWING - LEFT AND RIGHT
HANDED OPTIONS AVAILABLE

COMES STANDARD WITH STUDIO CORTEZ
OFFSET PIVOT HINGES

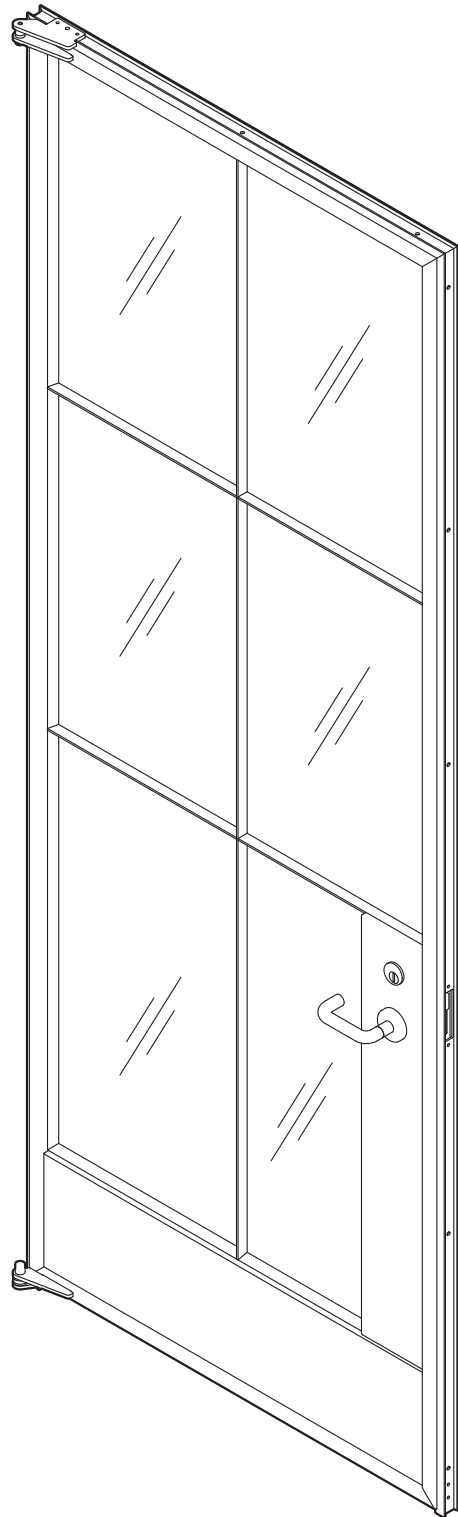
FITS SCHLAGE L-SERIES MORTISE LOCK
(AVAILABLE PREWIRED FOR ELECTRONIC
ACCESS CONTROL)

COMES STANDARD WITH SCHLAGE L-SERIES
HANDLES

OPTIONAL DORMA OVERHEAD CLOSER

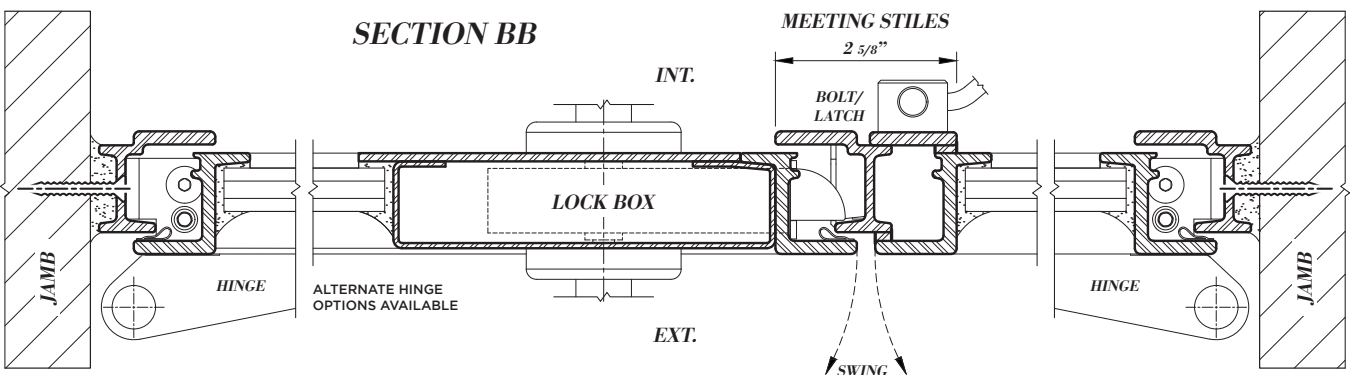
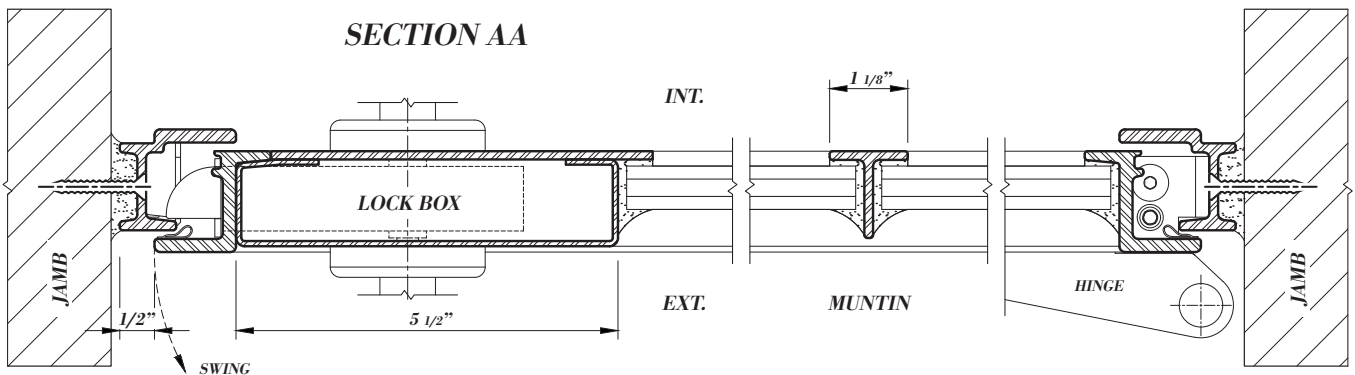
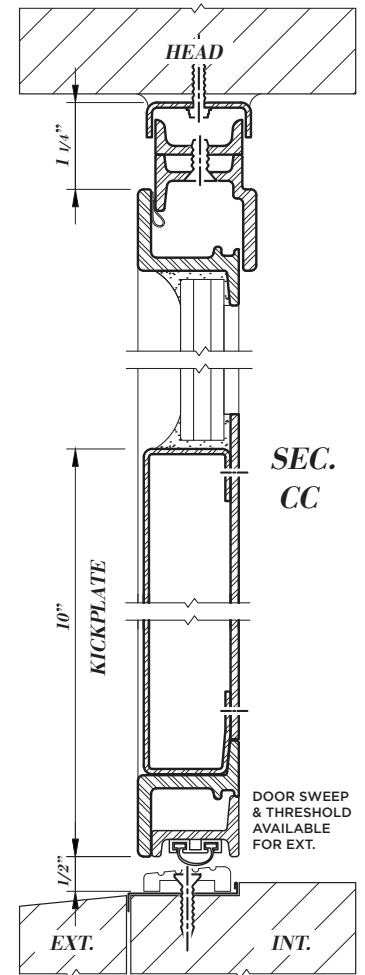
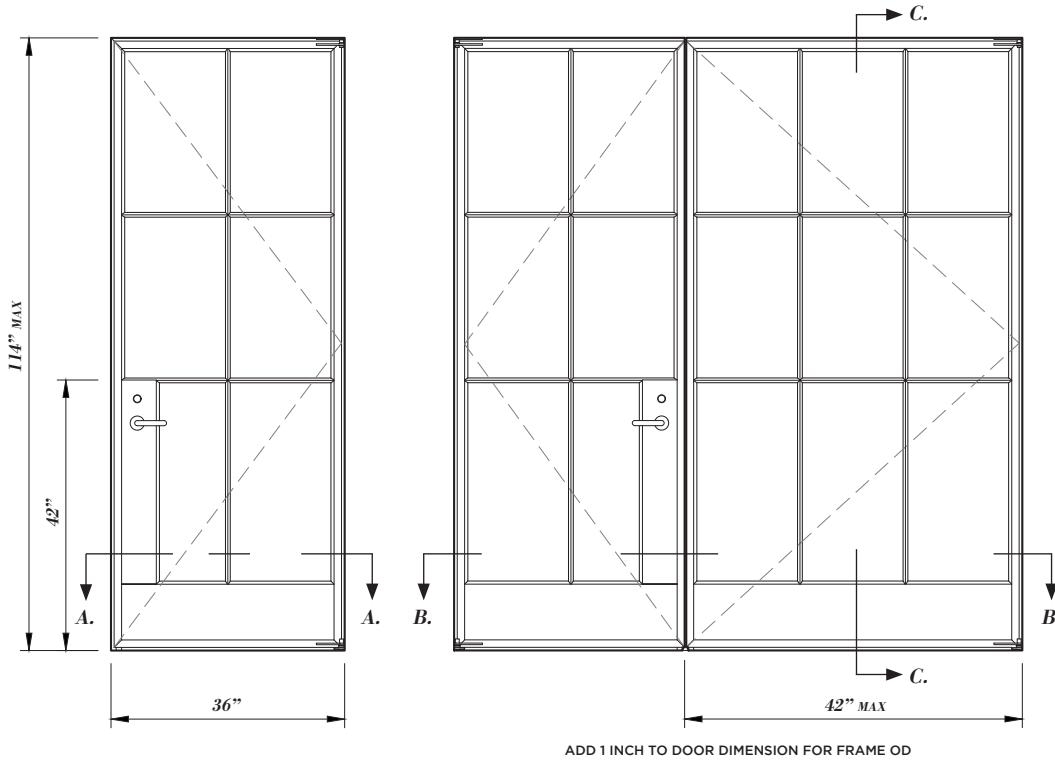
BLACKENED STEEL WITH STANDARD SATIN
CLEAR COAT FINISH. (POWDER COATING
AVAILABLE)

GRID CONFIGURATION CAN BE CUSTOMIZED
TO FIT SPECIFIED DESIGN



SINGLE DOOR

DOUBLE DOOR



INTERIOR SWISS SLIDING DOOR

UP TO 3 OPERABLE PANELS

INTERIOR ONLY - SINGLE OR DOUBLE GLAZE

TOP HANGING OR BOTTOM TRACK SYSTEMS AVAILABLE

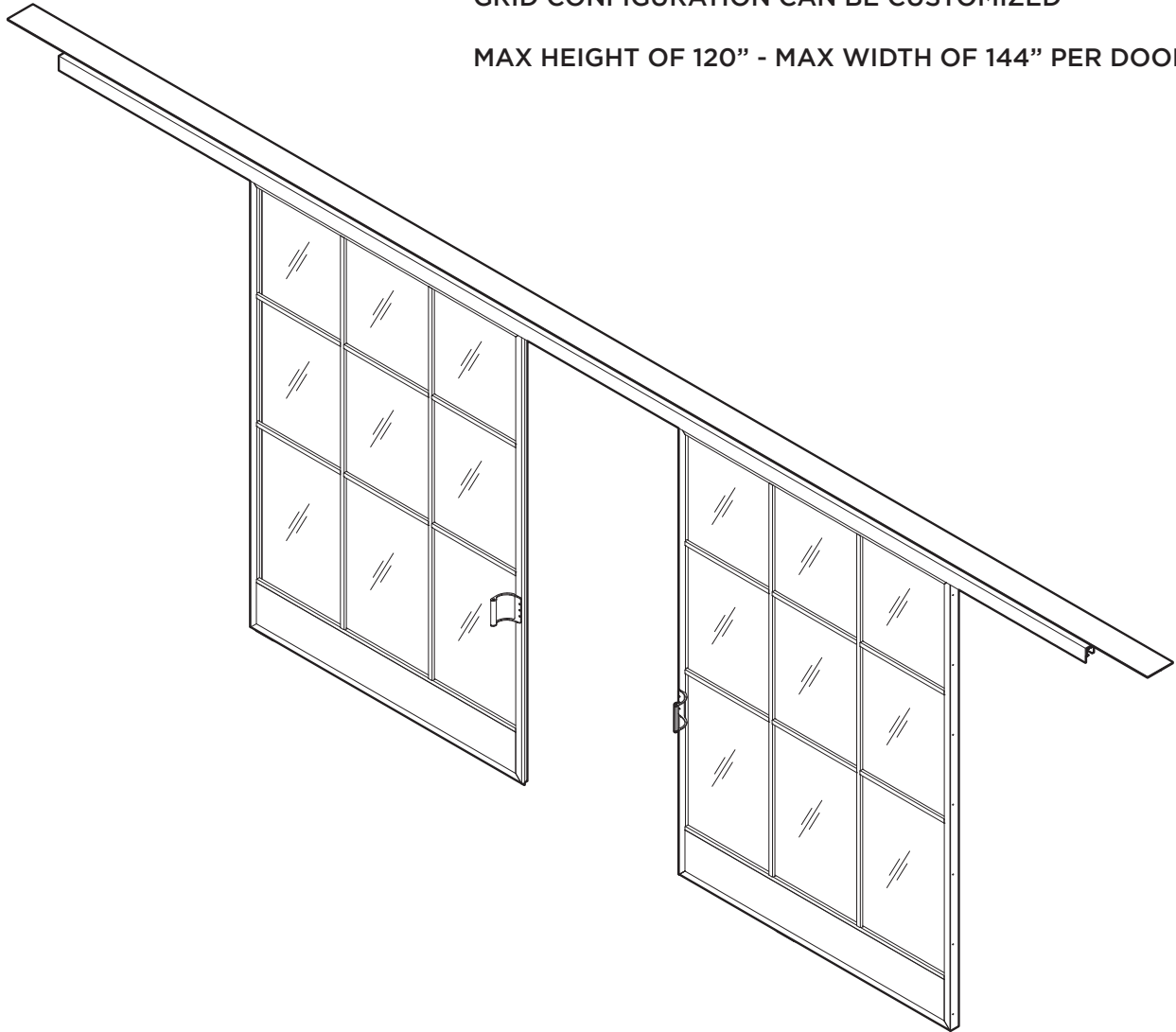
MULTIPLE LATCH MECHANISMS AVAILABLE

SCHLAGE L-SERIES HANDLES BRONZE (STANDARD)

STANDARD SATIN CLEARCOAT OR POWDER COAT FINISH

GRID CONFIGURATION CAN BE CUSTOMIZED

MAX HEIGHT OF 120" - MAX WIDTH OF 144" PER DOOR



STUDIO

CORTEZ

EST. 1983

OVERVIEW

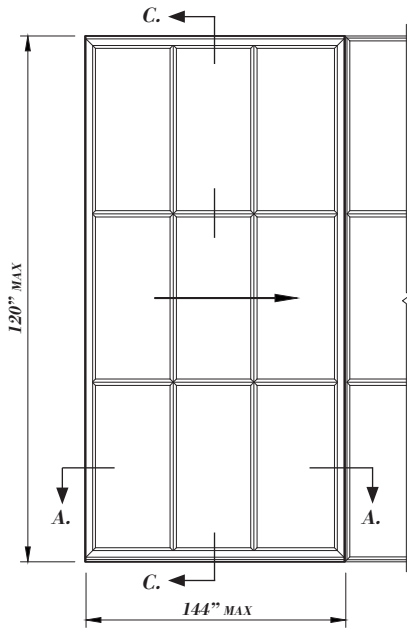
INTERIOR SWISS SLIDING DOOR

STUDIO CORTEZ

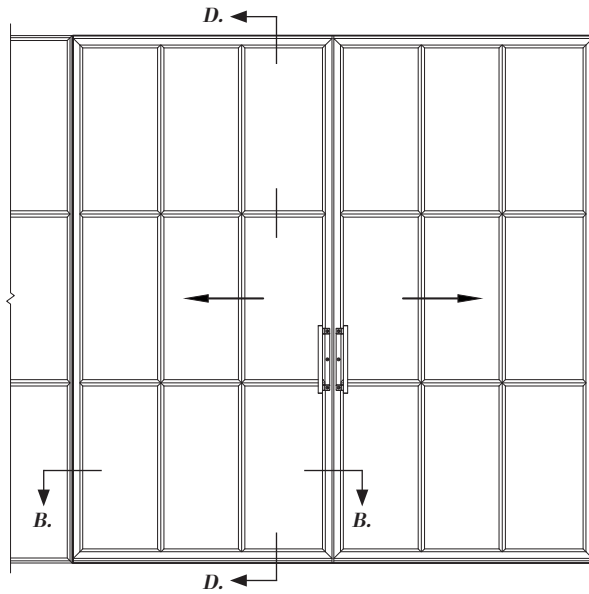
SANTA PAULA CALIFORNIA

VOL. 1
Page 24

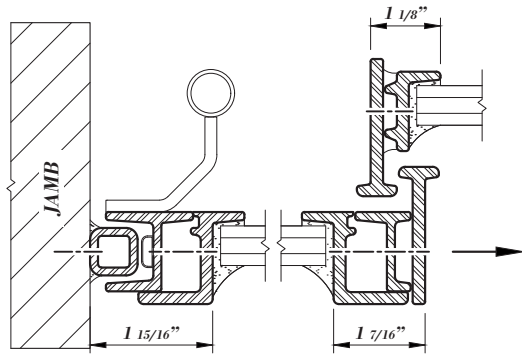
SINGLE DOOR



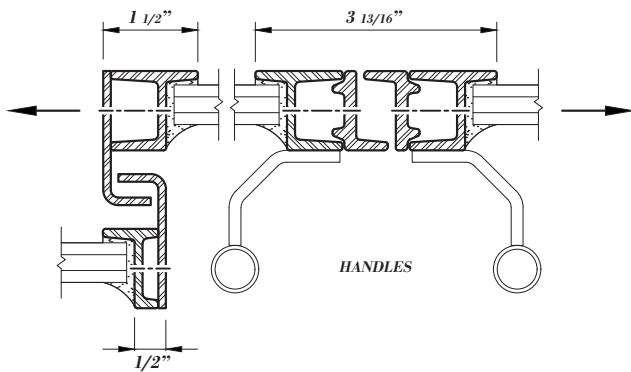
DOUBLE DOOR



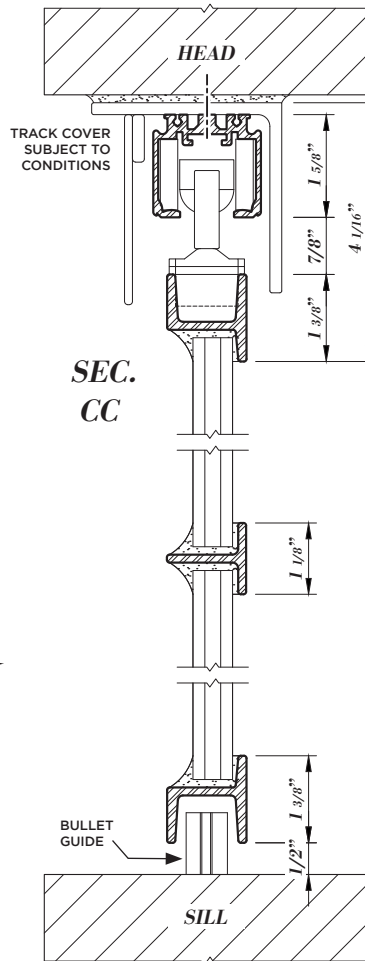
SECTION AA



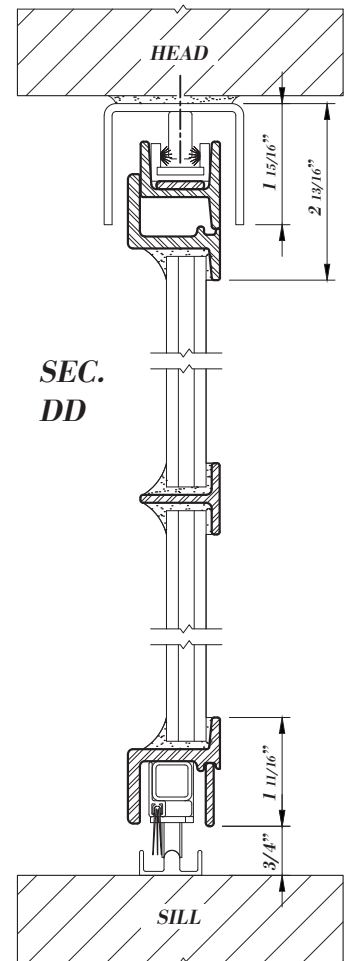
SECTION BB



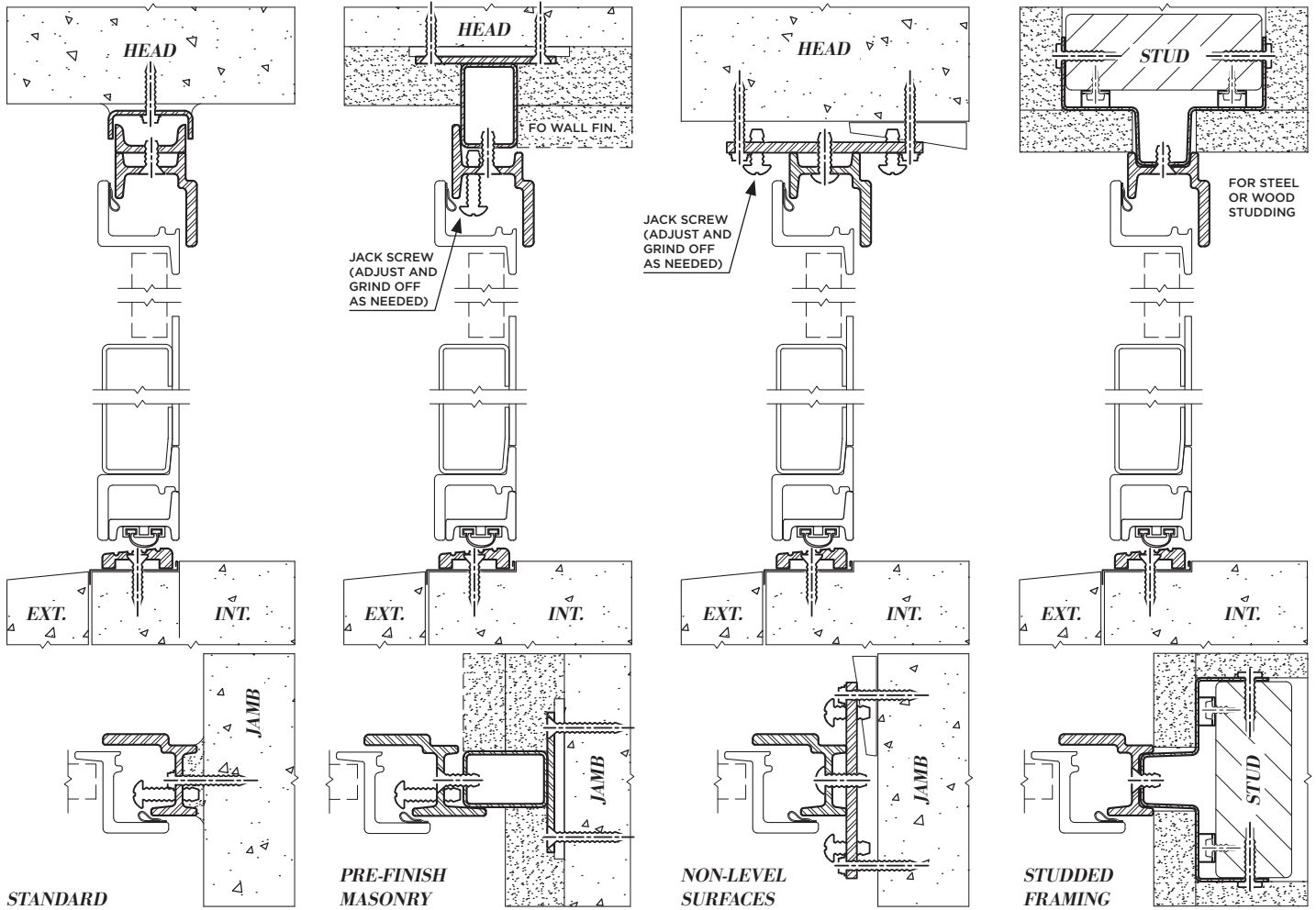
OVERHEAD



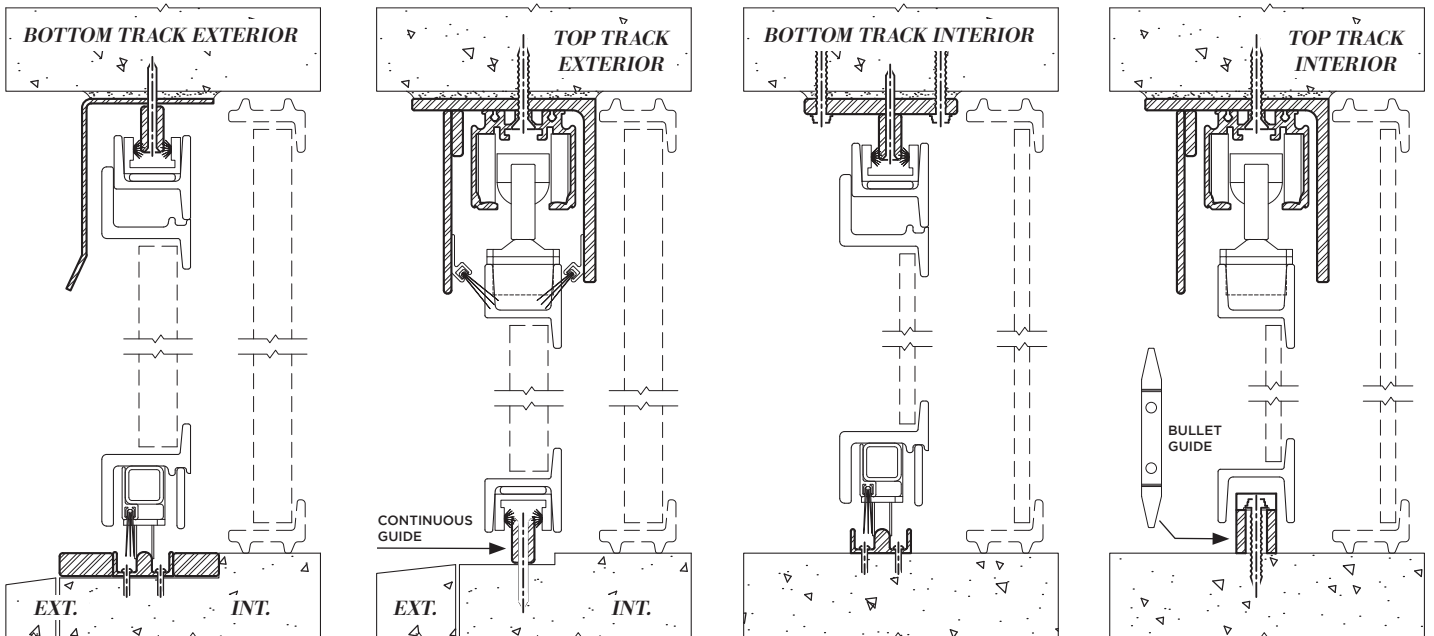
BOTTOM ROLLER



SWING DOOR ATTACHMENTS



SLIDING DOOR ATTACHMENTS



TUBE STEEL SWING DOOR

IN SWING OR OUT SWING

RIXSON PIVOT HINGES (STANDARD)

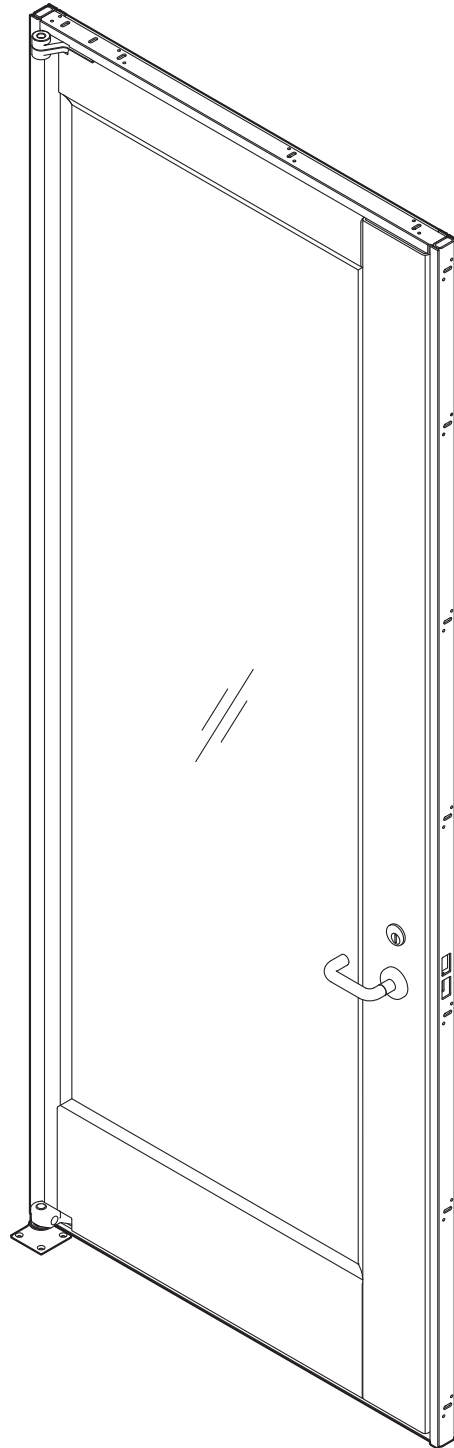
SCHLAGE L-SERIES MORTISE LOCK
(AVAILABLE PREWIRED FOR ELECTRONIC
ACCESS CONTROL)

SCHLAGE L-SERIES HANDLES
BRONZE (STANDARD)

DORMA OVERHEAD CLOSER
(OPTIONAL)

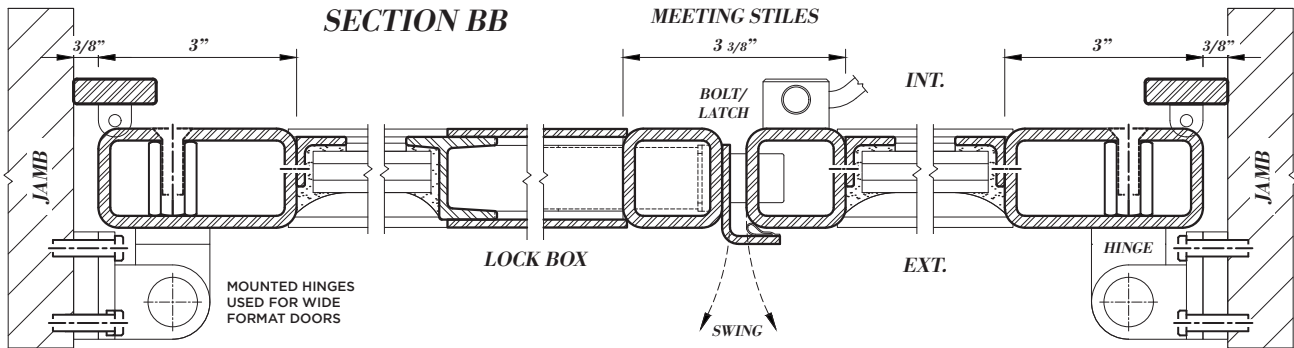
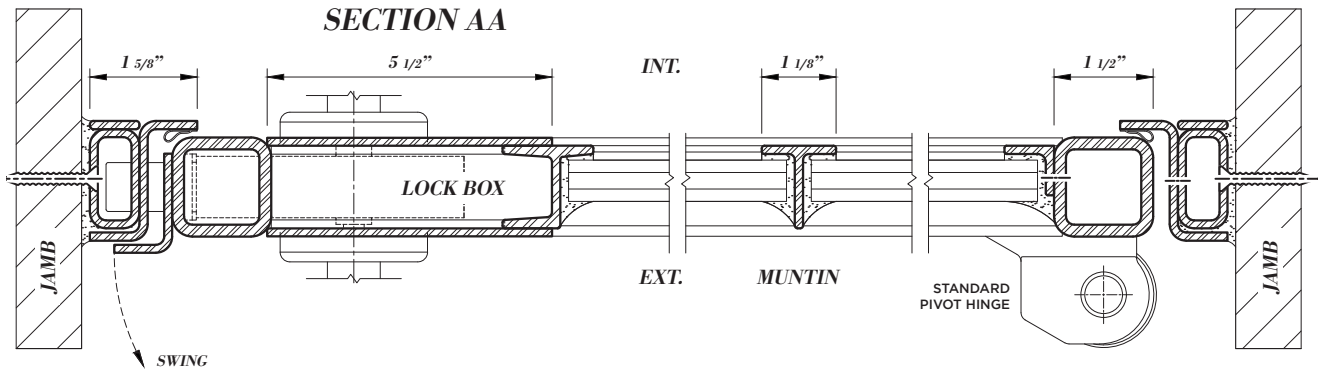
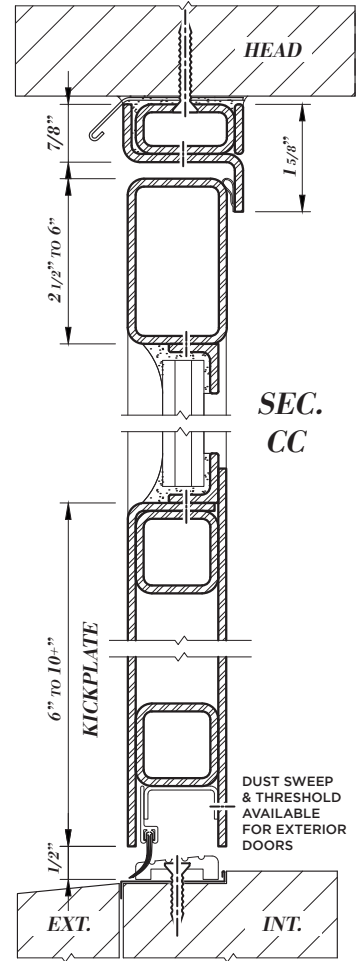
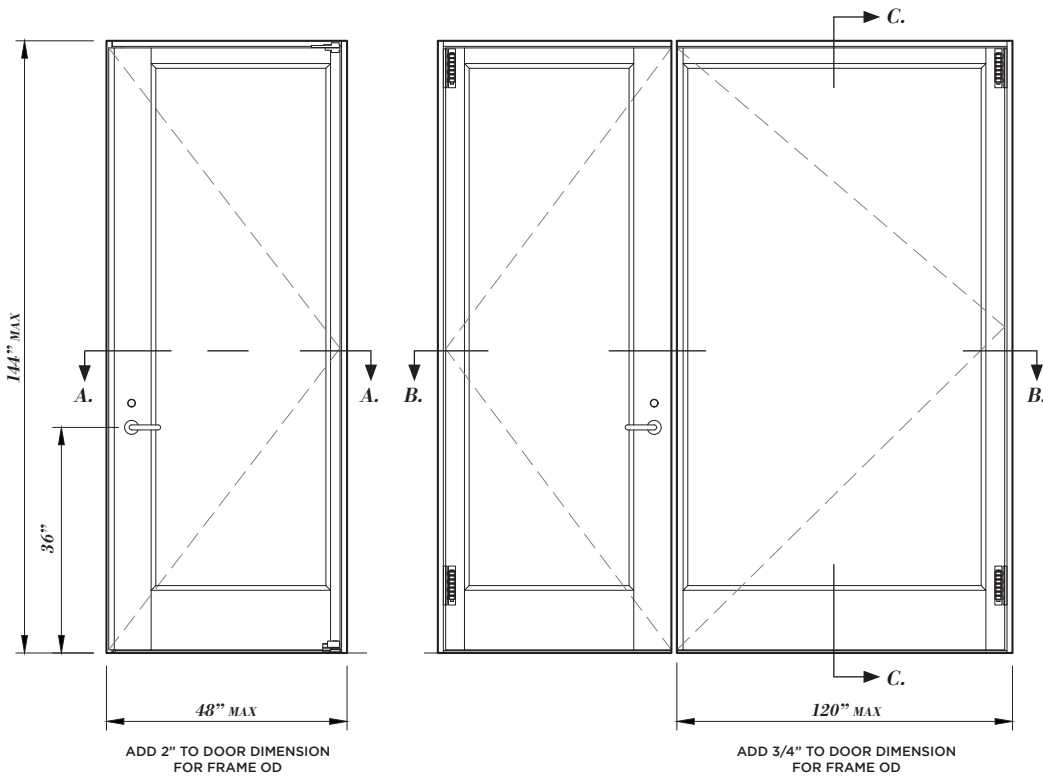
STANDARD SATIN CLEARCOAT
OR POWDER COAT FINISH

GRID CONFIGURATION CAN
BE CUSTOMIZED



SINGLE DOOR

DOUBLE DOOR



CORTEZ TUBE STEEL SLIDING DOOR

UP TO 3 OPERABLE PANELS

SINGLE OR DOUBLE GLAZE

TOP HANGING OR BOTTOM TRACK SYSTEMS AVAILABLE

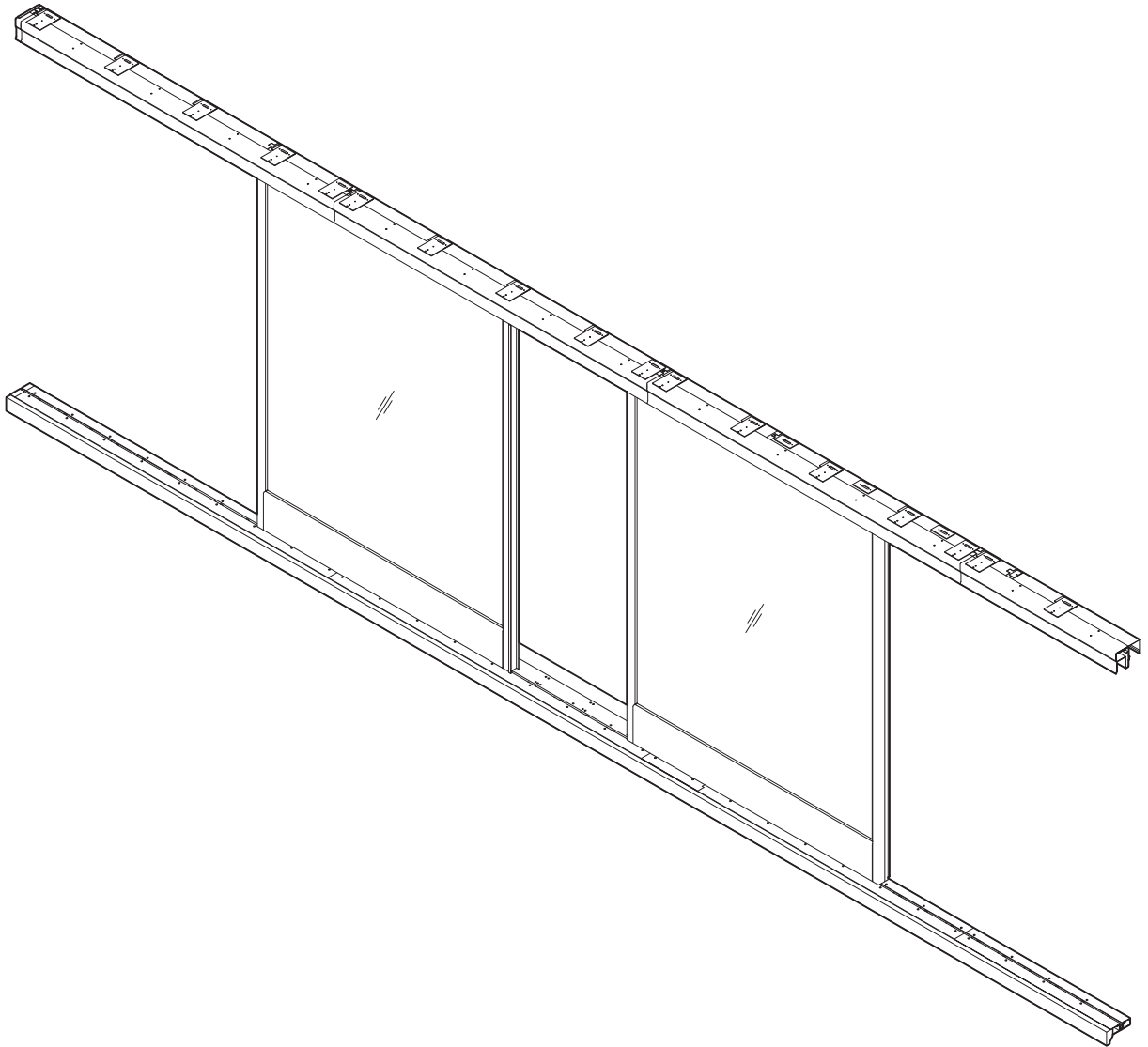
MULTIPLE LATCHING OPTIONS

SCHLAGE L-SERIES HANDLES BRONZE (STANDARD)

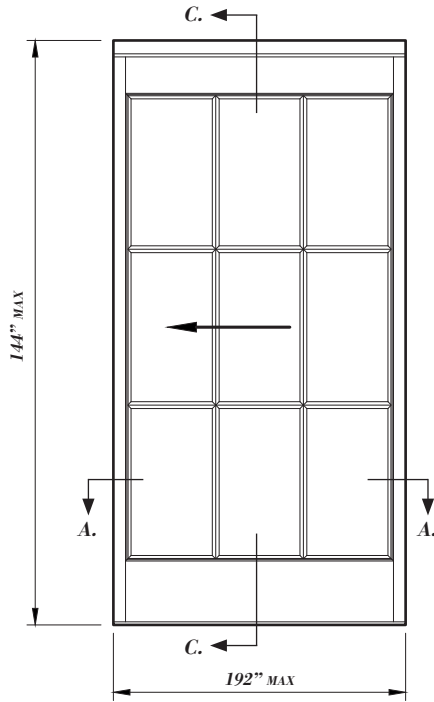
STANDARD SATIN CLEARCOAT OR POWDER COAT FINISH

GRID CONFIGURATION CAN BE CUSTOMIZED

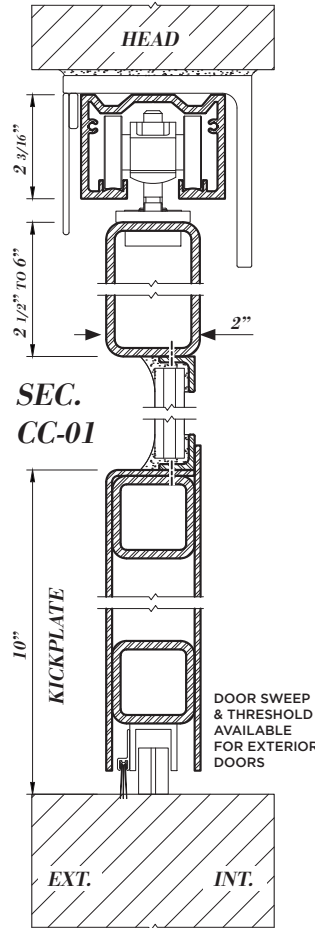
MAX HEIGHT OF 144" - MAX WIDTH OF 192" PER DOOR



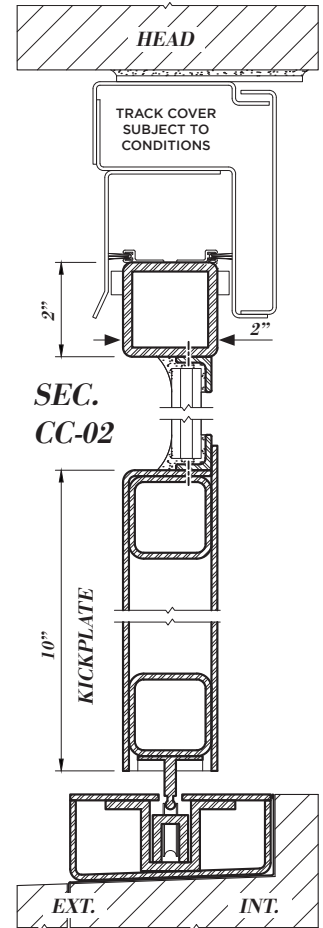
SINGLE DOOR



TOP TRACK



FLUSH TRACK

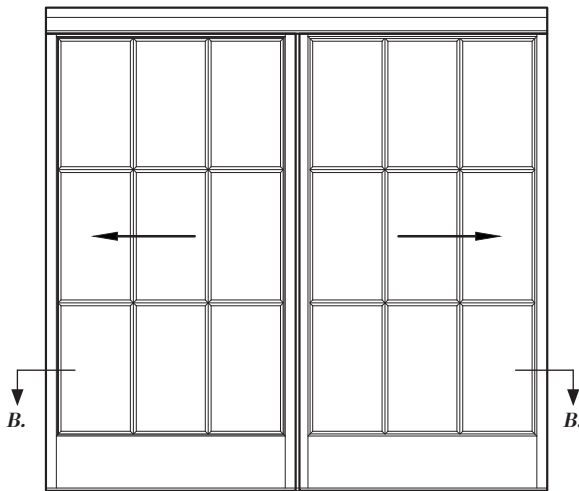


SLIDER TRACK SELECTION
DEPENDENT ON DESIGN
AND CONDITIONS

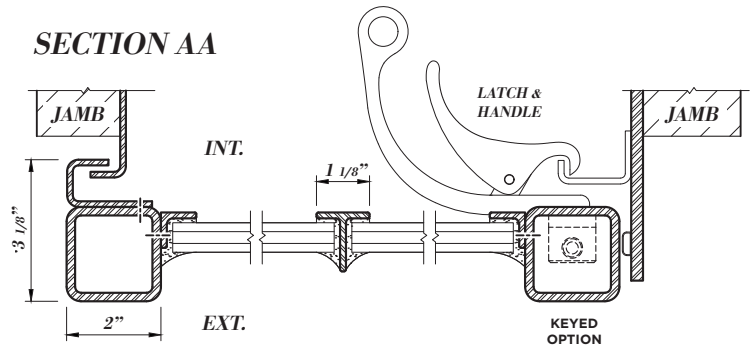
SEC.
CC-01

SEC.
CC-02

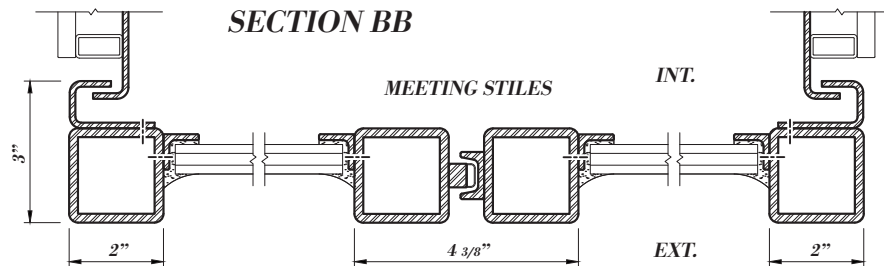
DOUBLE DOOR



SECTION AA

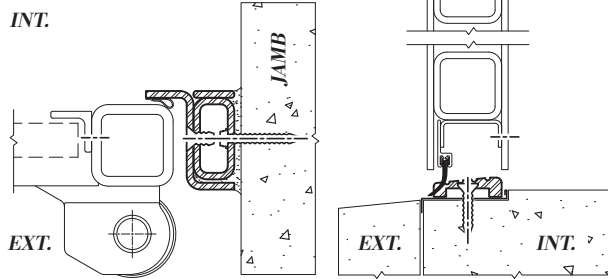


SECTION BB

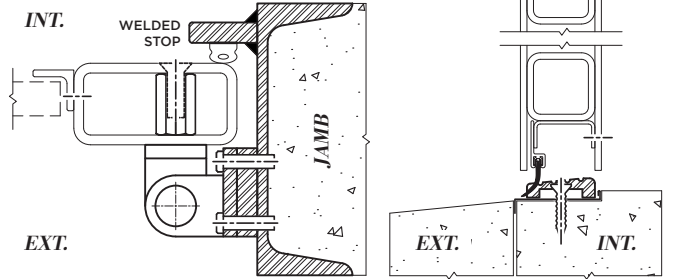


SWING DOOR ATTACHMENTS

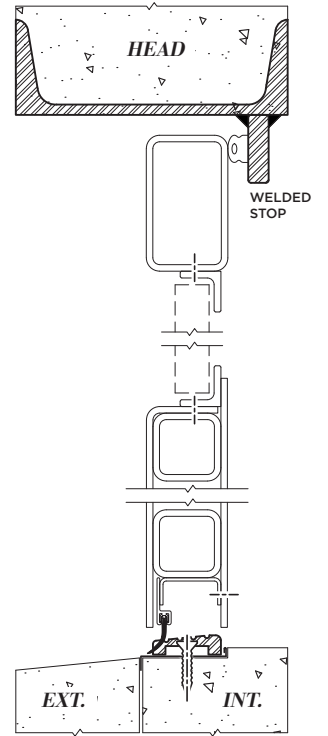
OFFSET PIVOT HINGE



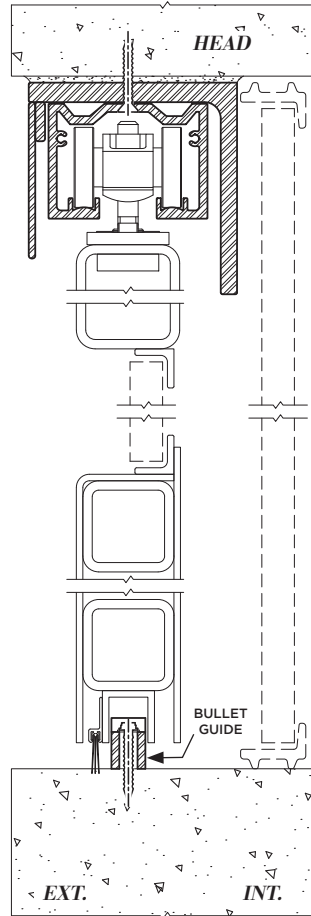
MOUNTED HINGE FOR LARGE DOORS



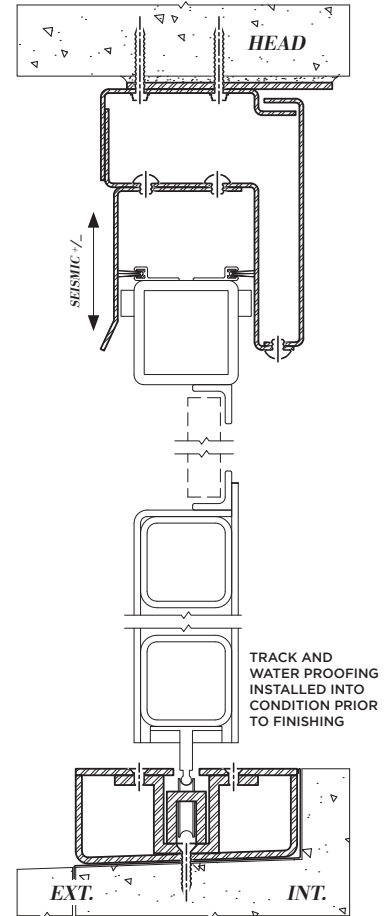
STEEL HEAD AND JAMBS REQUIRED FOR WIDE FORMAT DOOR HINGES



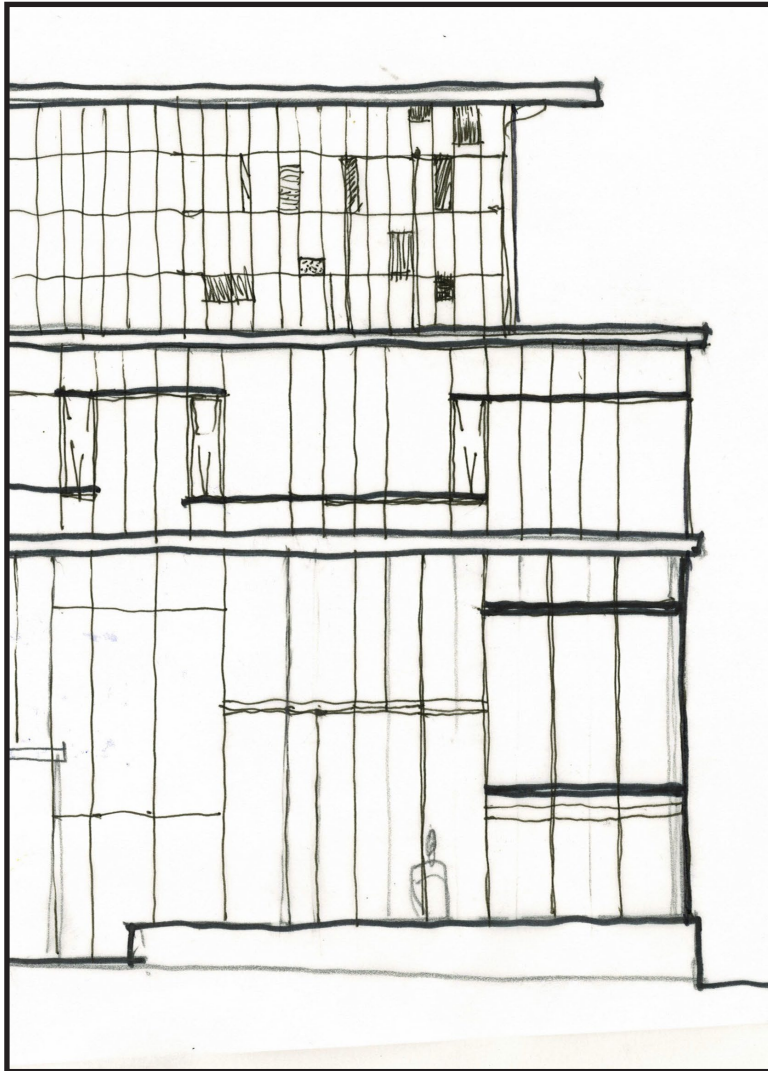
SLIDING DOOR ATTACHMENTS



TOP MOUNTED



FLUSH MOUNTED



FIXED GRID WINDOW SYSTEM

GRID CONFIGURATION PER
REQUIRED DESIGN

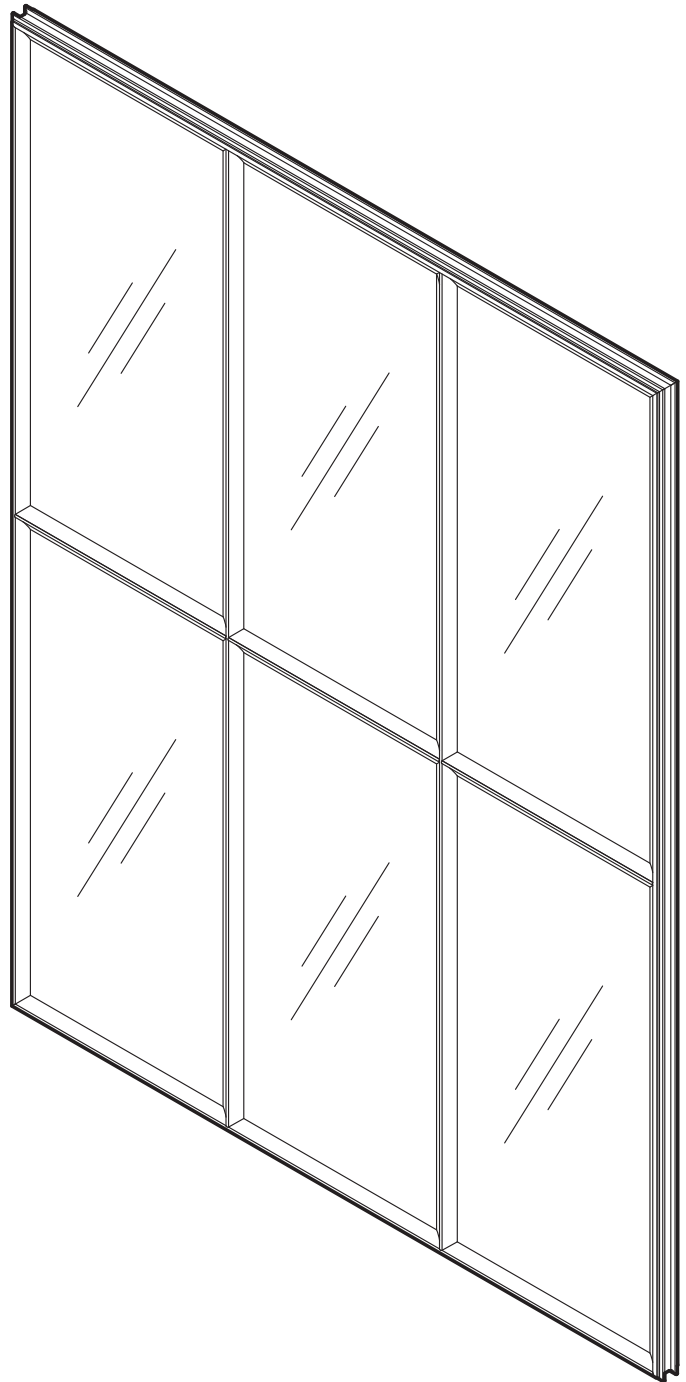
INTERIOR OR EXTERIOR

STANDARD SATIN CLEARCOAT
OR POWDER COAT FINISH

3 DIFFERENT STEEL PROFILES
AVAILABLE FOR VARYING WIDTHS
OF SIGHTLINES

MAXIMUM WIDTH UP TO 120"

MAXIMUM HEIGHT UP TO 144"

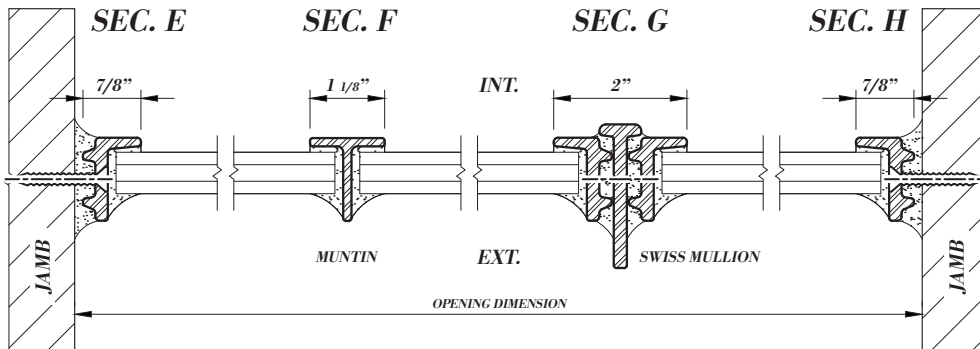
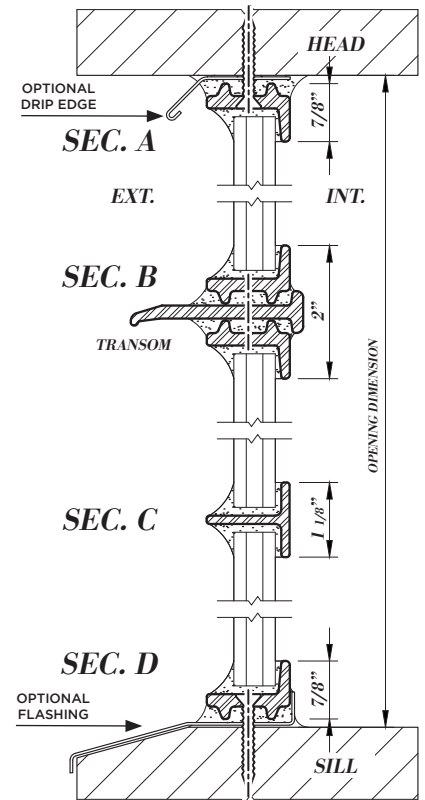
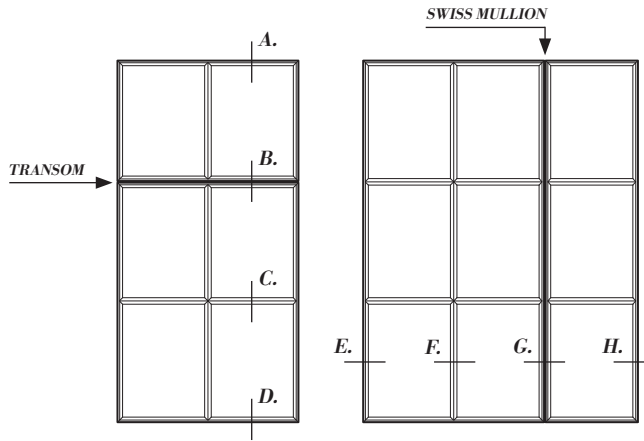


STANDARD GRID

Standard fixed grid system using 627 profile

Best for plum and level openings

Thinnest sight lines

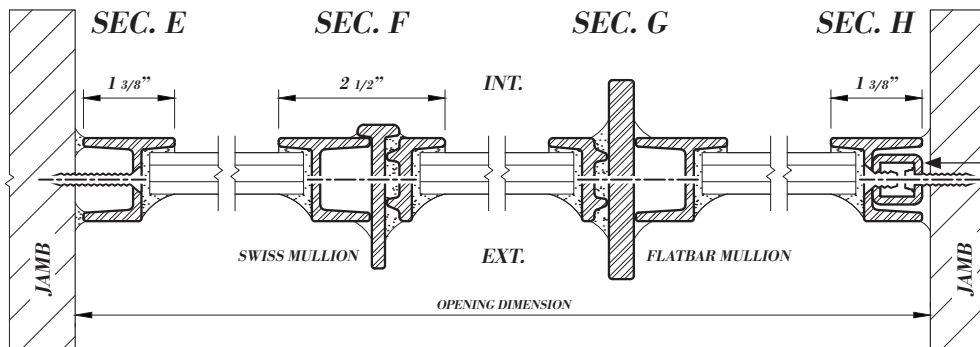
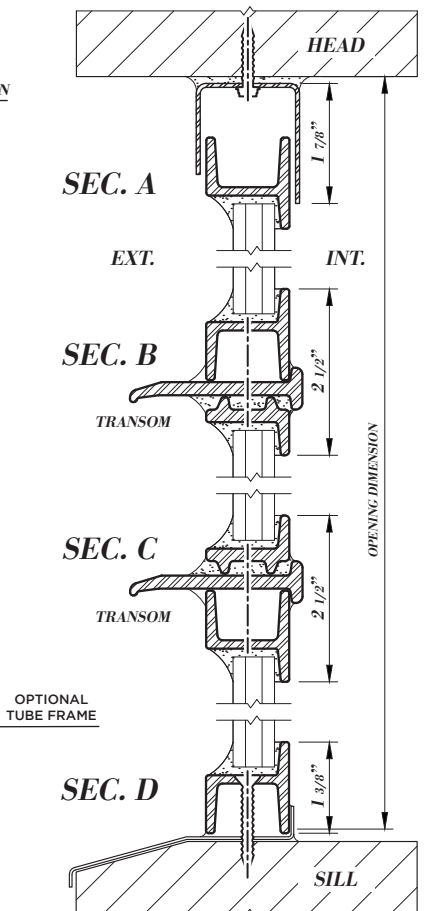
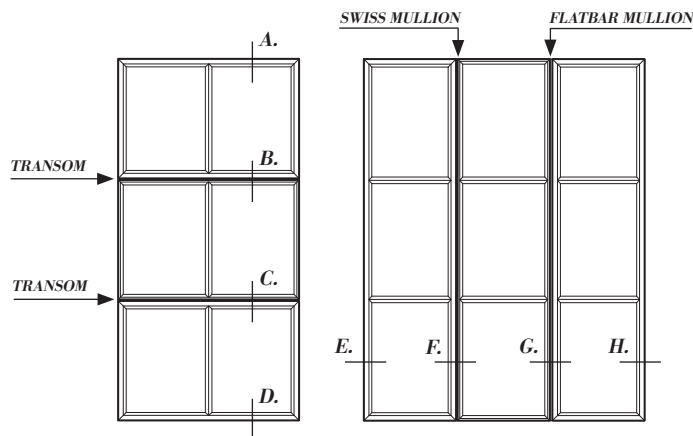


H-BAR GRID

H-bar fixed grid system using 642 profile

Used in conjunction with slip tracks and jack screws for uneven or out of plum and level openings. (Refer to attachments)

Also available with the slimmer 640 H-bar profile



AWNING & CASEMENT OPERABLE WINDOWS

GRID CONFIGURATION PER REQUIRED DESIGN

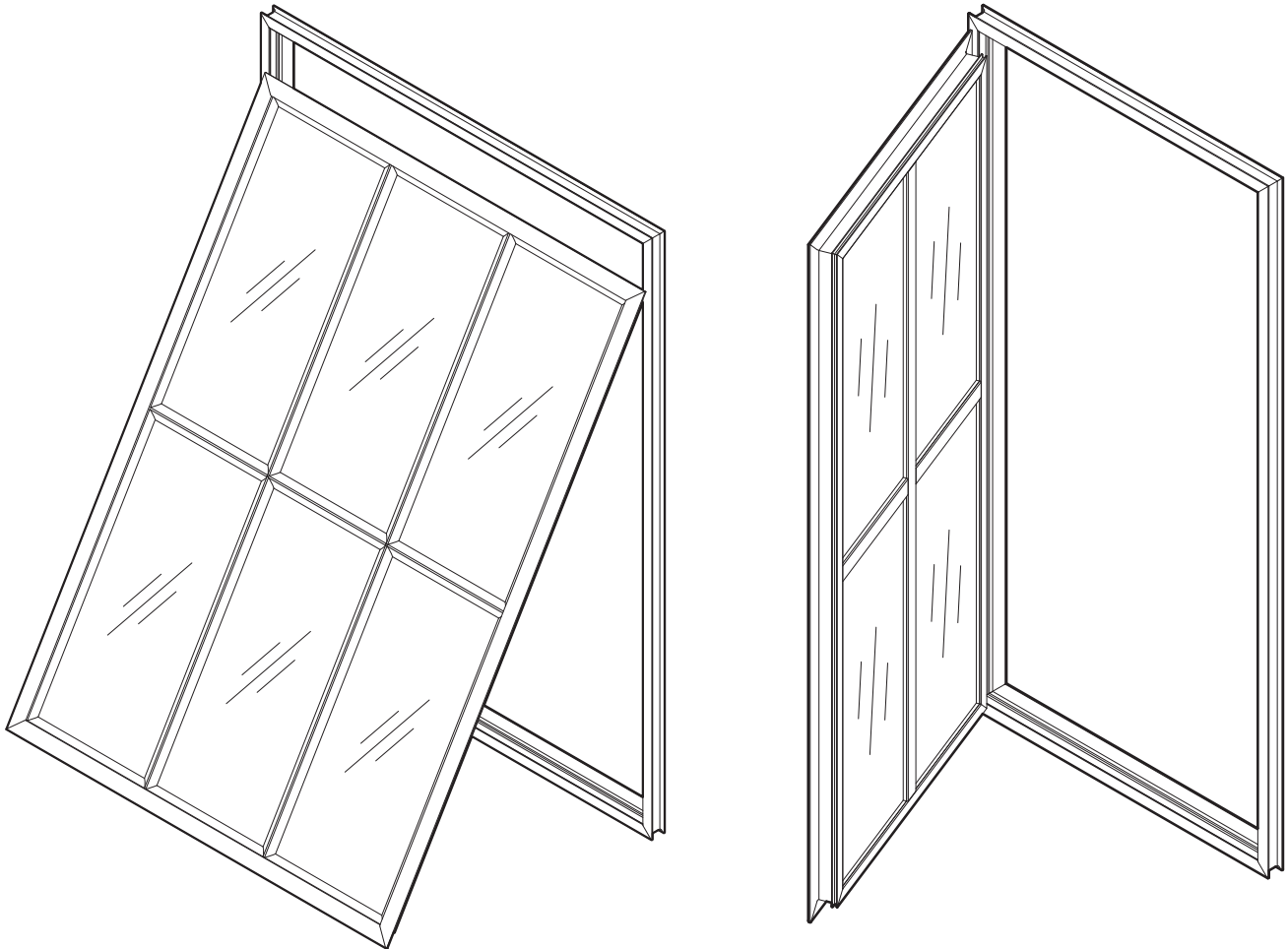
CASEMENTS IN INSWING OR OUTSWING

MULTIPLE HINGE OPTIONS (REFER TO WINDOW HARDWARE)

MULTIPLE LATCH AND OPERATOR OPTIONS
(REFER TO WINDOW HARDWARE)

STANDARD SATIN CLEARCOAT OR POWDER COAT FINISH

MAXIMUM SASH SIZE OF 28+/- SQFT w/ 200LB WEIGHT



STUDIO

CORTEZ

EST. 1983

OVERVIEW

AWNING & CASEMENT OPERABLE WINDOWS

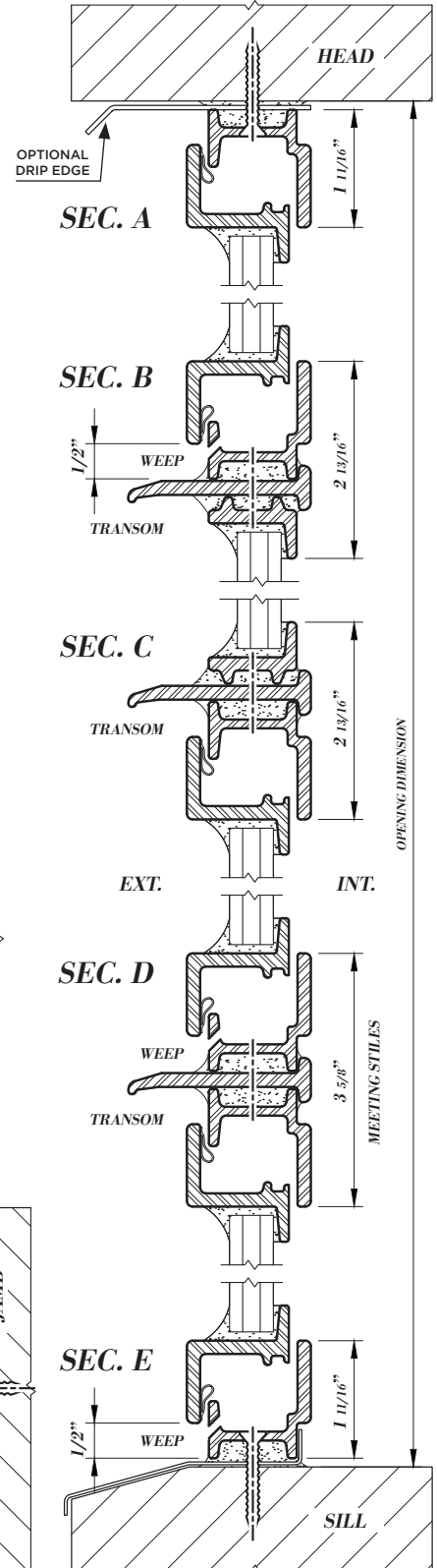
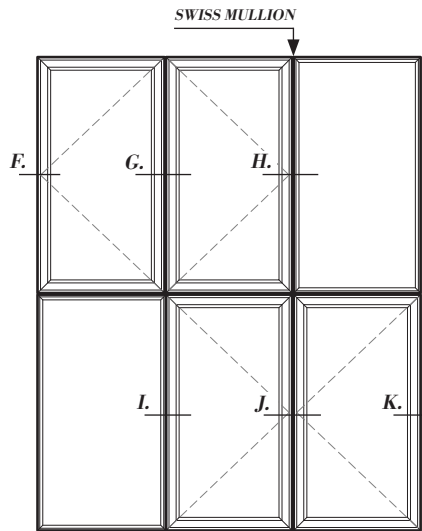
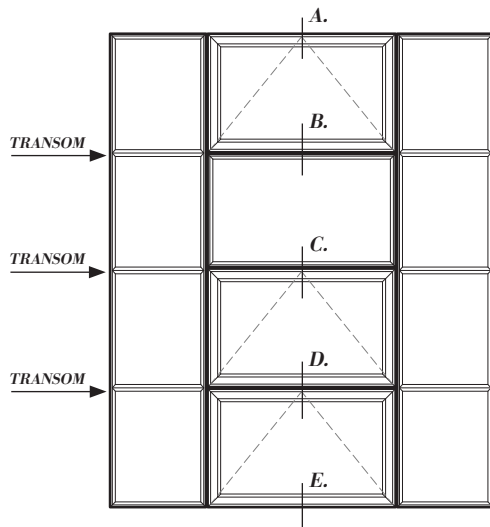
STUDIO CORTEZ

SANTA PAULA CALIFORNIA

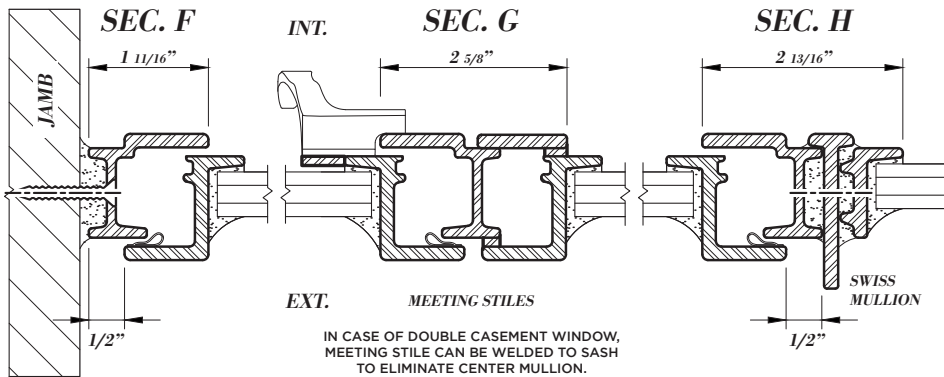
VOL. 1
Page 36

AWNING

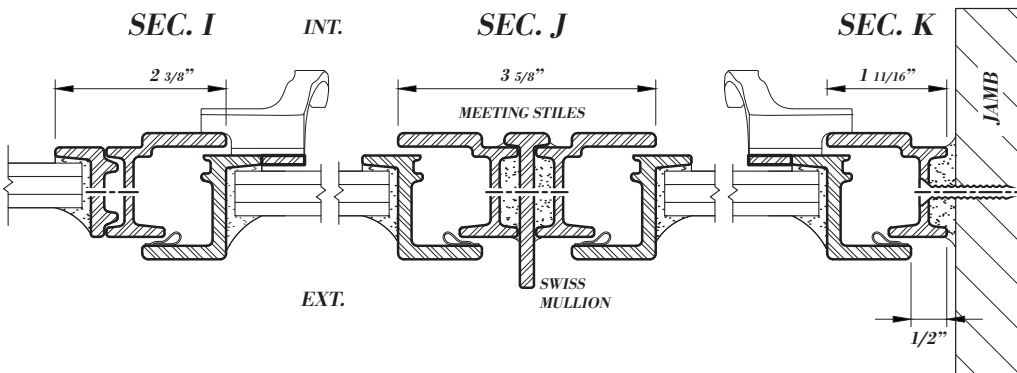
CASEMENT



AWNING AND CASEMENT WINDOWS SHARE THE SAME PROFILES AND ATTACHMENTS.
HINGE TYPE AND LOCATIONS WILL VARY, REFER TO WINDOW HARDWARE (PG. 28) FOR DETAILS.



IN CASE OF DOUBLE CASEMENT WINDOW, MEETING STILE CAN BE WELDED TO SASH TO ELIMINATE CENTER MULLION.



HOPPER WINDOWS

GRID CONFIGURATION PER
REQUIRED DESIGN

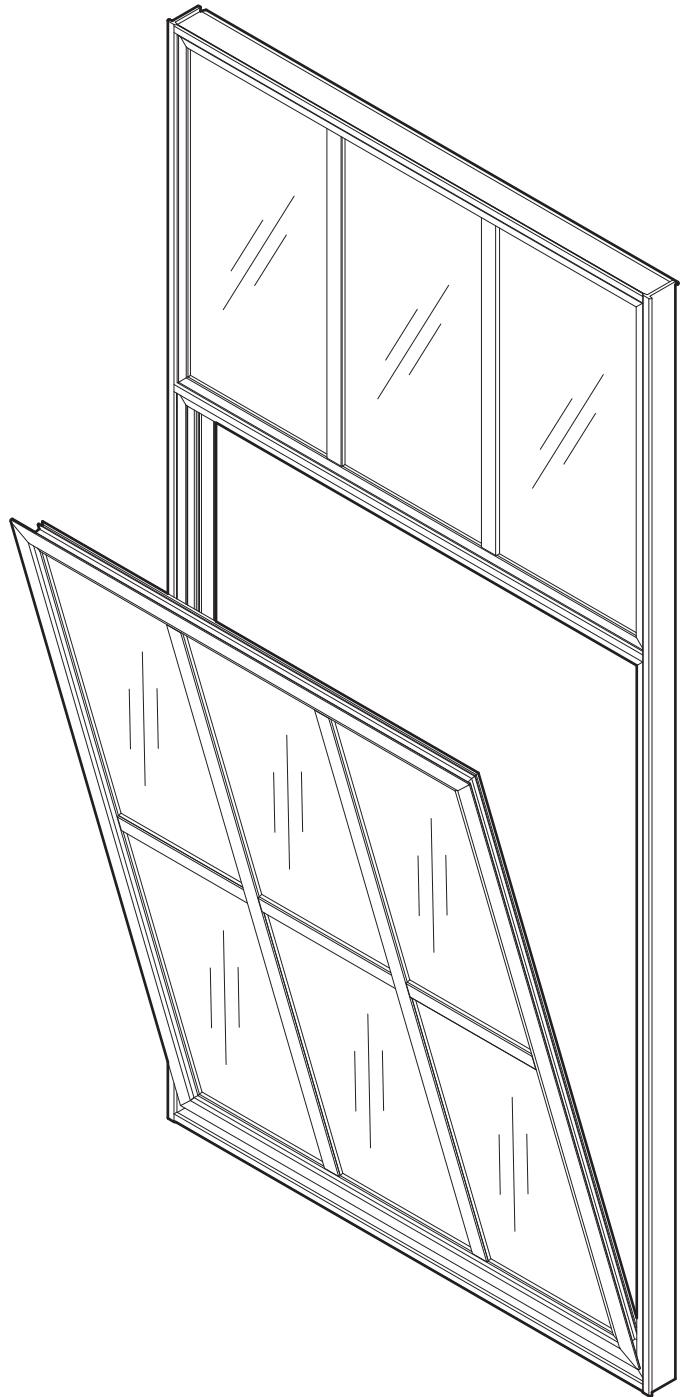
IN SWING ONLY

MULTIPLE HINGE OPTIONS
(REFER TO WINDOW HARDWARE)

MULTIPLE LATCH AND OPERATOR
OPTIONS
(REFER TO WINDOW HARDWARE)

STANDARD SATIN CLEARCOAT
OR POWDER COAT FINISH

MAXIMUM SASH SIZE OF 28 SQFT.



STUDIO

CORTEZ

EST. 1983

OVERVIEW

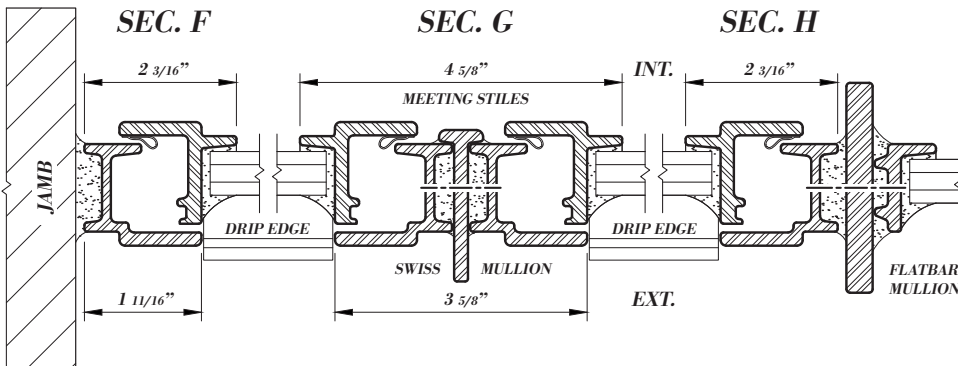
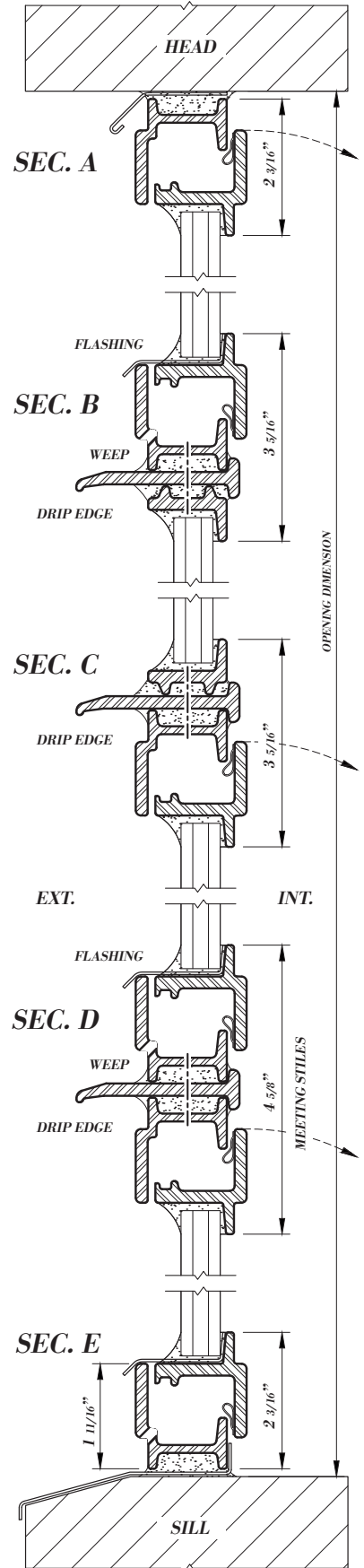
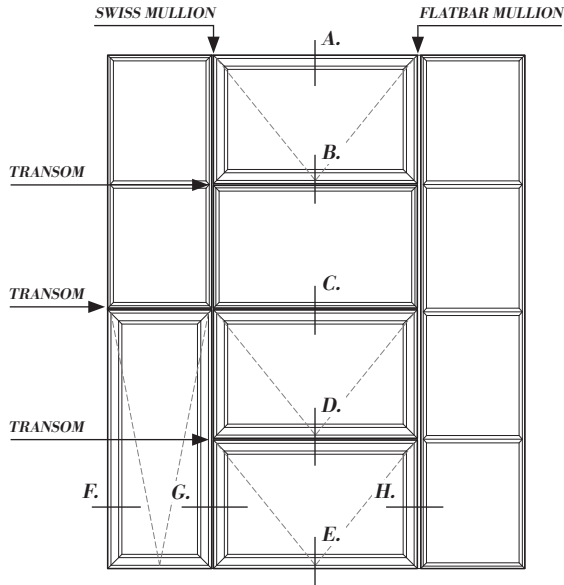
HOPPER OPERABLE WINDOWS

STUDIO CORTEZ

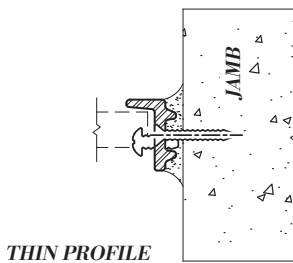
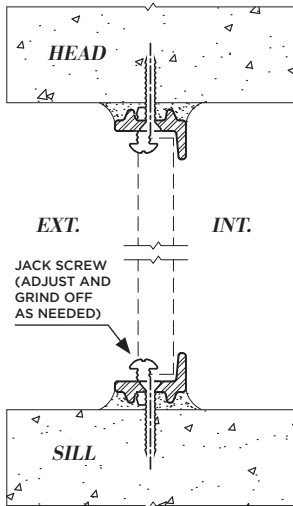
SANTA PAULA CALIFORNIA

VOL. 1
Page 38

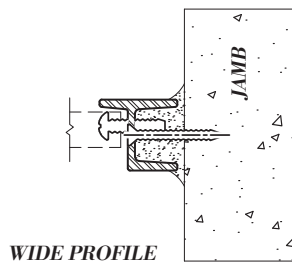
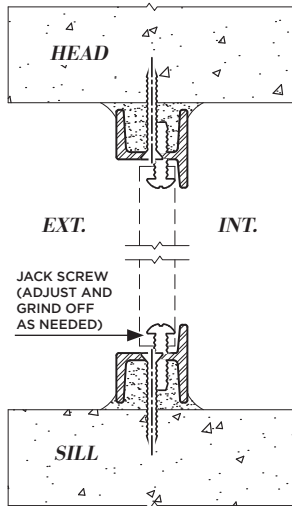
HOPPER



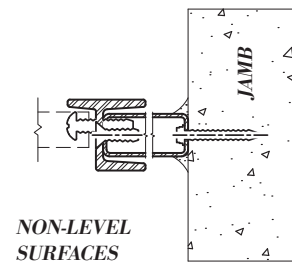
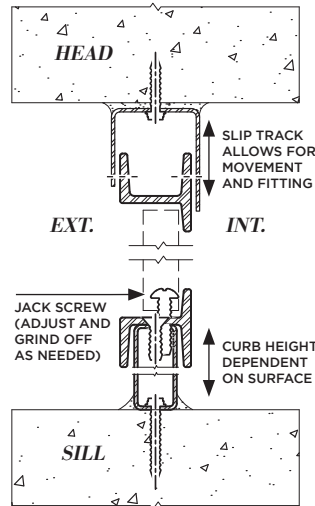
FIXED GRID ATTACHMENTS



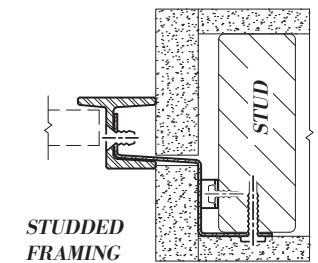
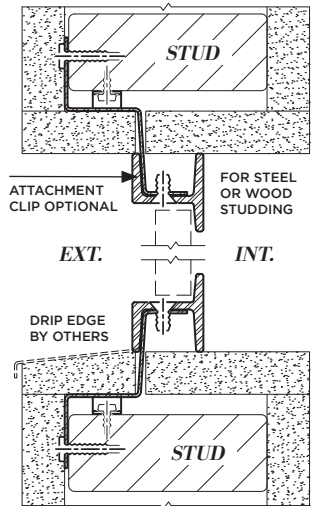
THIN PROFILE



WIDE PROFILE

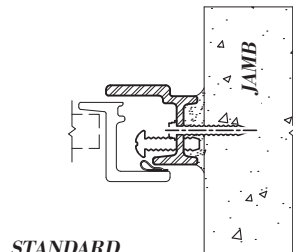
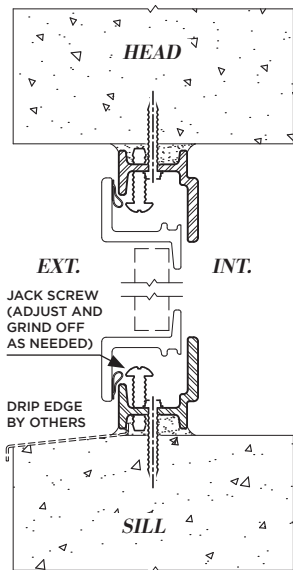


NON-LEVEL SURFACES

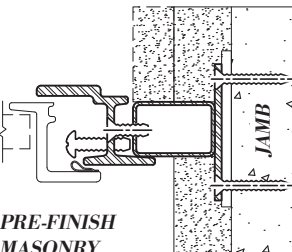
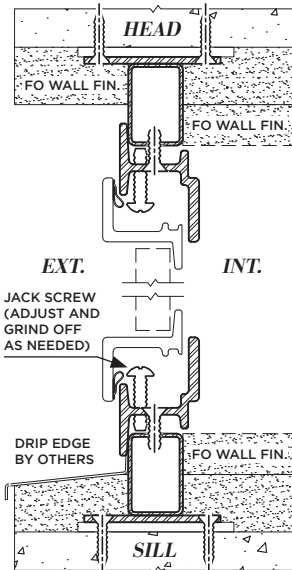


STUDED FRAMING

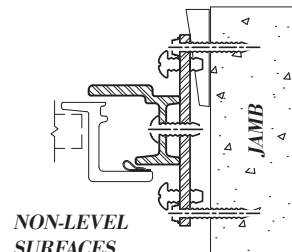
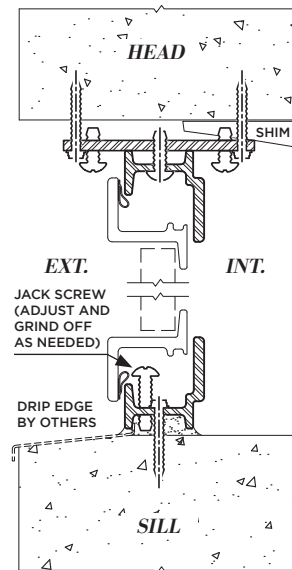
OPERABLE ATTACHMENTS



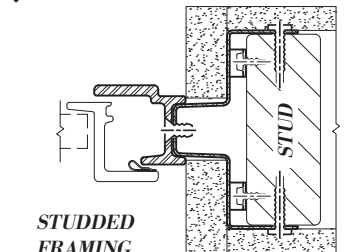
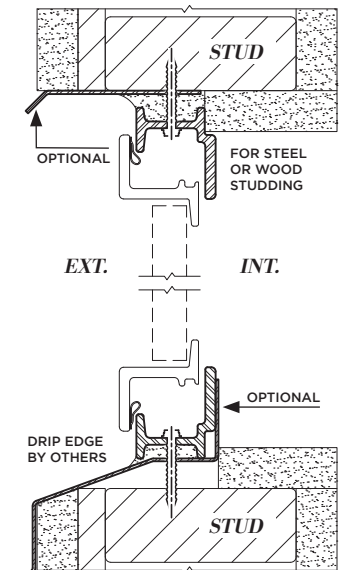
STANDARD



PRE-FINISH MASONRY



NON-LEVEL SURFACES



STUDED FRAMING

SIMPLE-SET PRE-FAB WINDOW UNITS

COMES PRE-GLAZED WITH FLASHING ATTACHED

GRID CONFIGURATION PER REQUIRED DESIGN

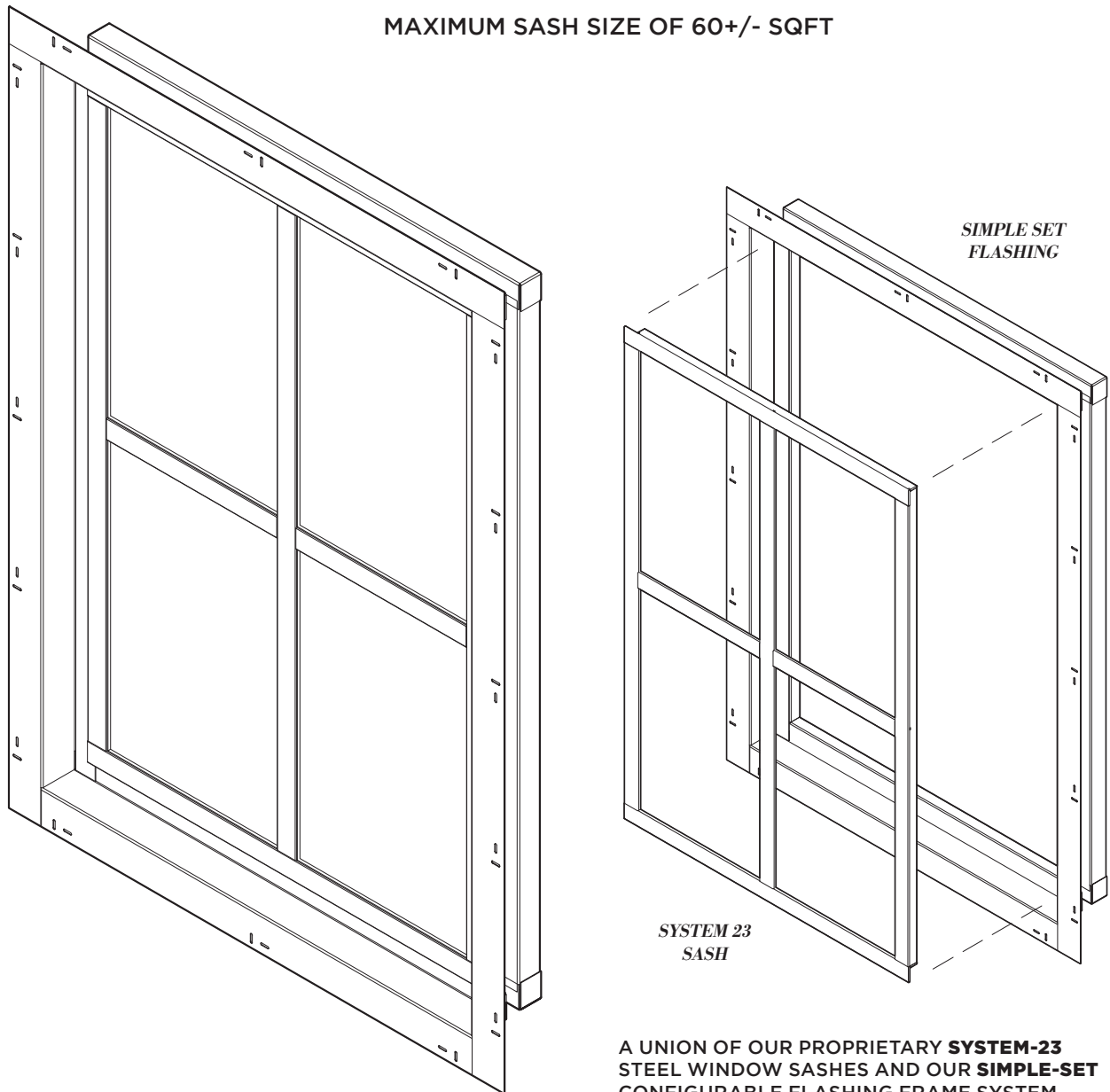
FLASHING PROFILE CAN BE CONFIGURED AS NEEDED

INSTALLS THE SAME AS WOOD/VINYL WINDOWS

AVAILABLE FOR INTERIOR OR EXTERIOR

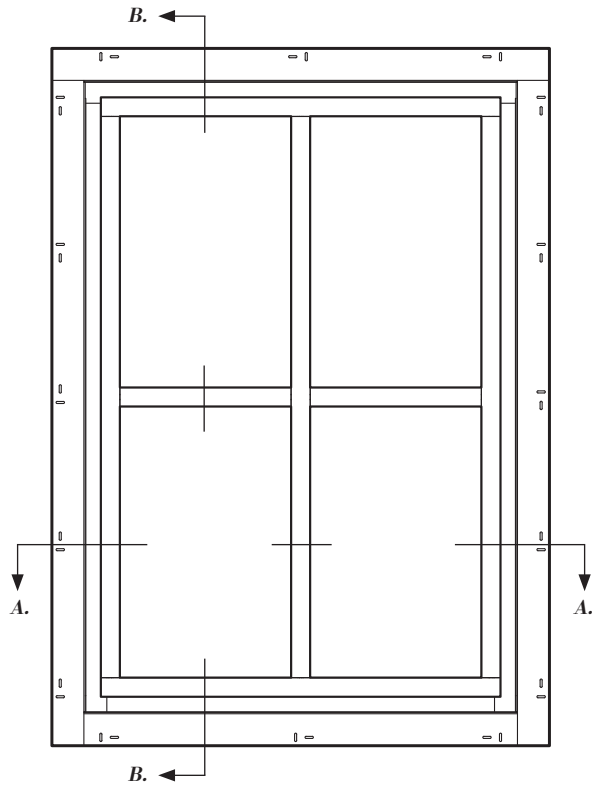
STANDARD SATIN CLEARCOAT OR POWDER COAT FINISH

MAXIMUM SASH SIZE OF 60+/- SQFT

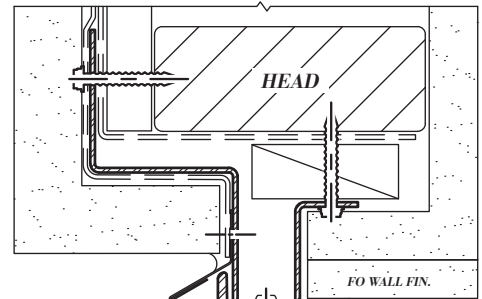


A UNION OF OUR PROPRIETARY **SYSTEM-23** STEEL WINDOW SASHES AND OUR **SIMPLE-SET** CONFIGURABLE FLASHING FRAME SYSTEM.

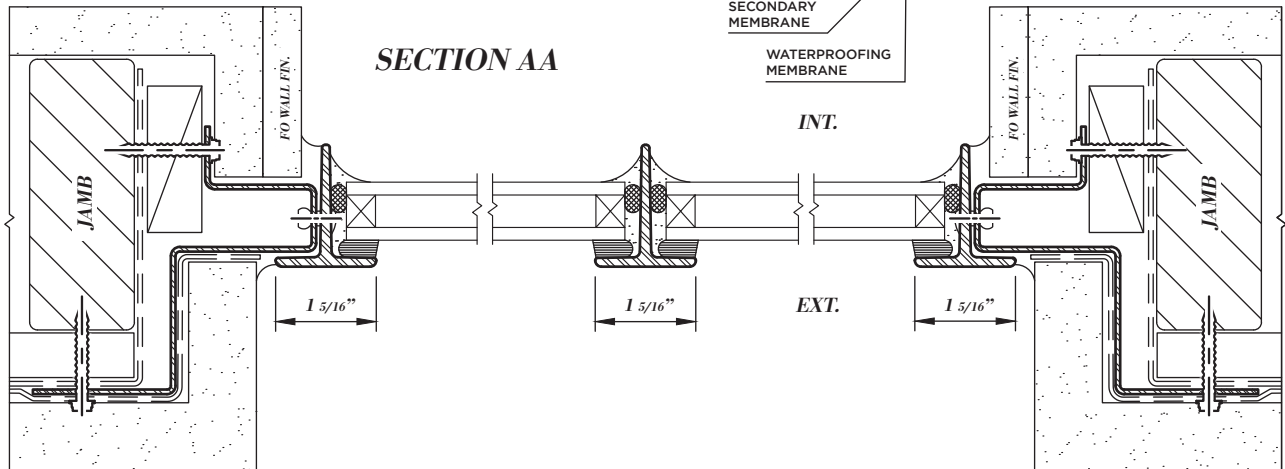
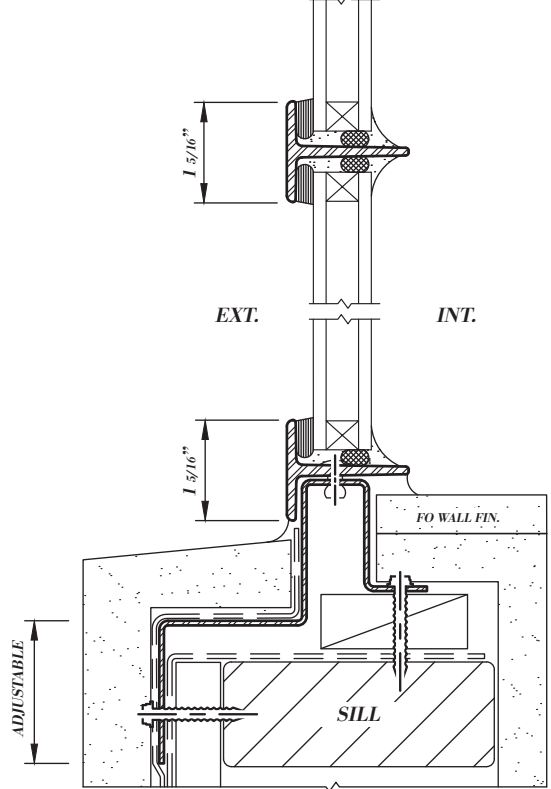
STANDARD GRID



PRE-FABRICATED SYSTEM 23 WINDOW SASH USING 670 PROFILE AND COMBINED WITH SIMPLE-SET SHEET METAL FLASHING CURB
 IDEAL FOR PUNCHED OPENINGS AND STUD FRAMING



SEC. BB



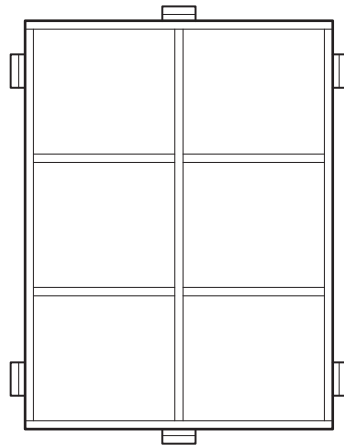
SIMPLE-SET INTERIOR ATTACHMENT CLIPS

SYSTEMS COMES PRE-GLAZED WITH INSTALLATION CLIPS ATTACHED

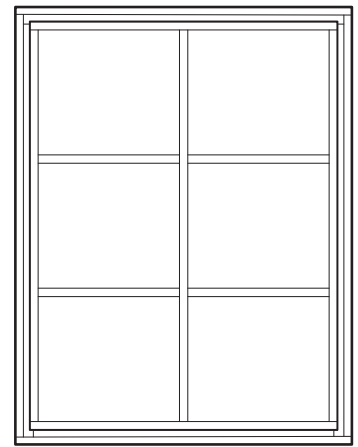
TWO INSTALLATION CLIPS AVAILABLE: PRE-FINISH AND POST-FINISH

STANDARD INTERIOR WINDOWS COME WITH 1/4" TEMPERED GLAZING

CLIPS ARE SEGMENTED BUT AVAILABLE IN CONTINUOUS FOR AN IMPROVED ACOUSTIC BARRIER



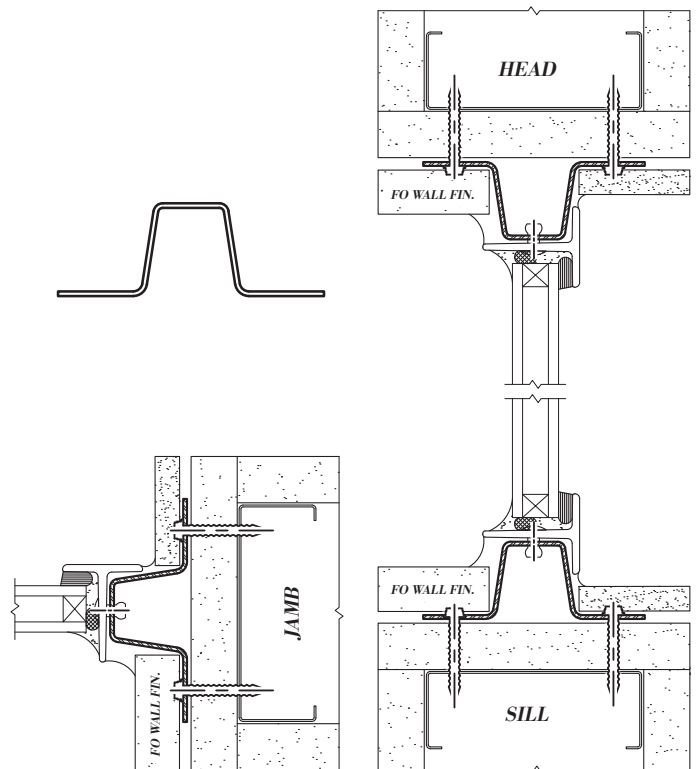
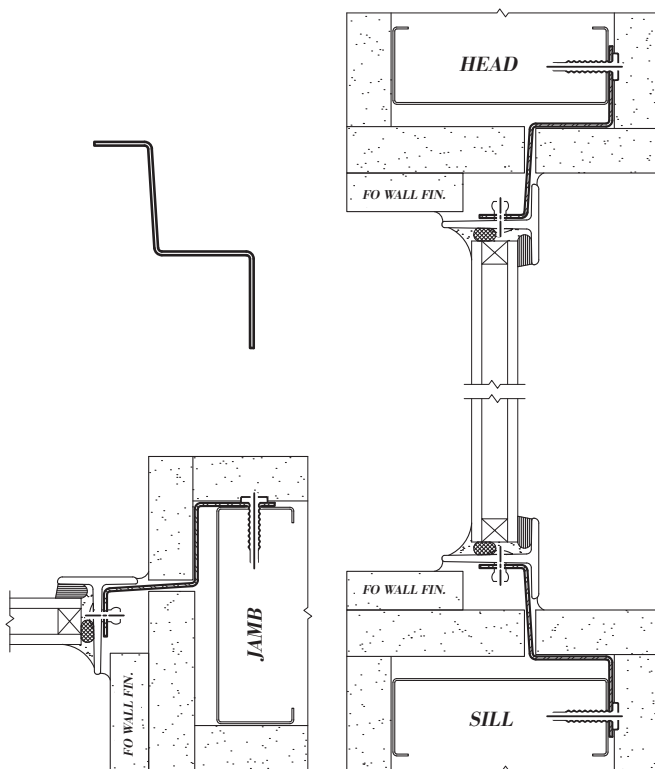
SEGMENTED
(STANDARD)



CONTINUOUS
(OPTIONAL)

PRE-FINISH CLIP

POST-FINISH CLIP



SIMPLE-SET CONFIGURABLE FLASHING SYSTEM

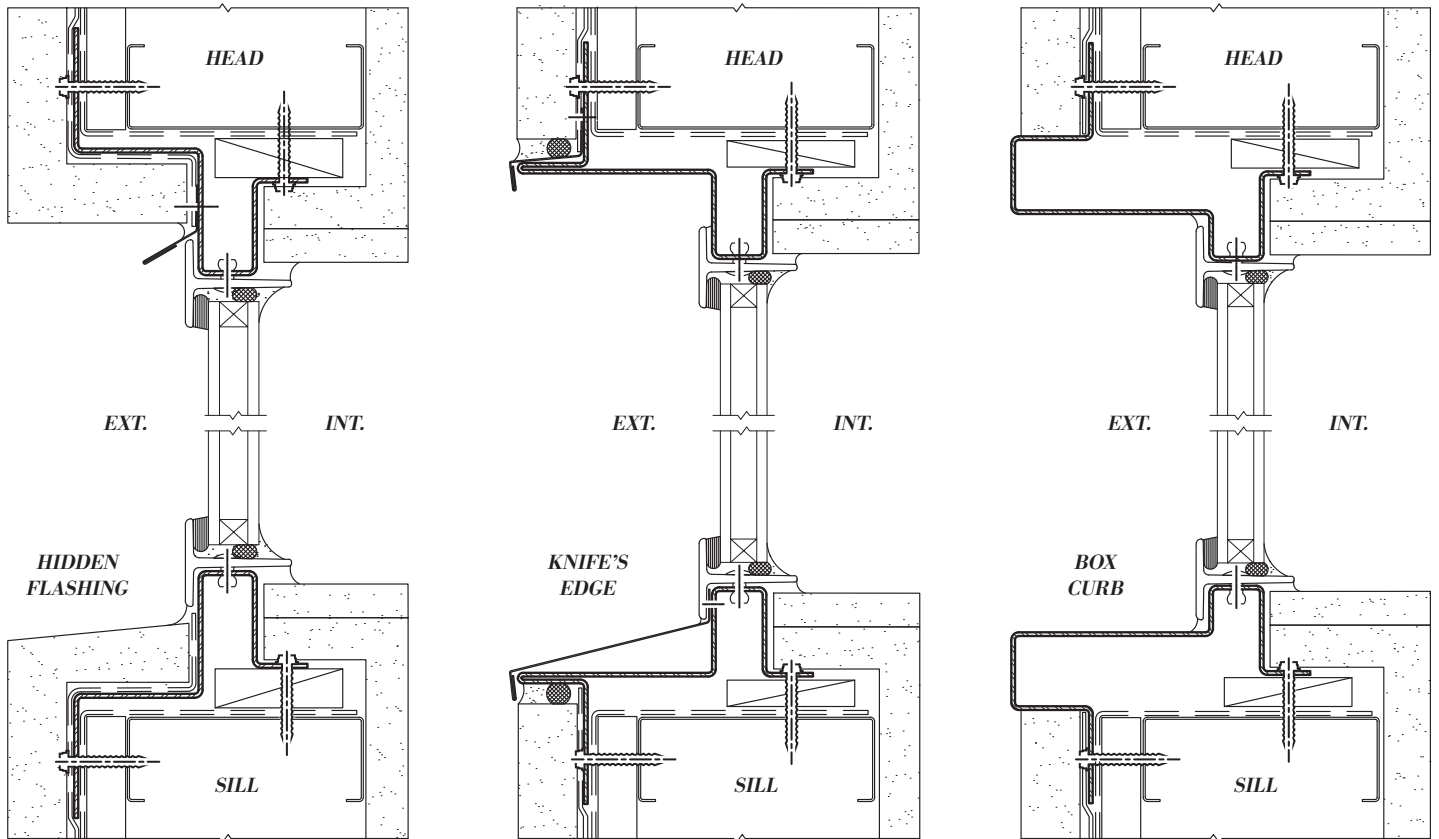
3 CUSTOMIZABLE FLASHING PROFILES AVAILABLE

FLANGE DIMENSIONS CAN BE ADJUSTED TO ALLOW EXACT FITMENT TO FRAMING

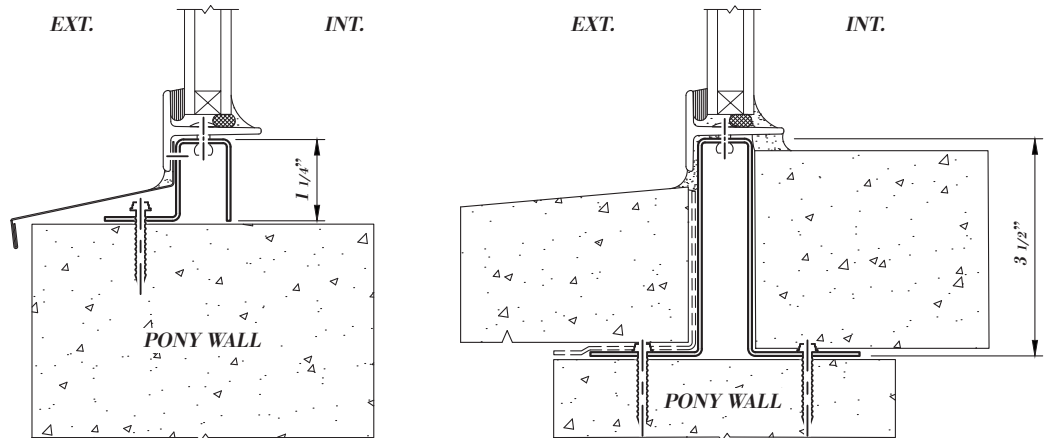
CUSTOM PROFILE CAN BE DESIGNED WITH ADDITIONAL DESIGN COST

FLASHING IS AVAILABLE IN 22 GA GALVANIZED OR BONDERIZED STEEL

DRIP EDGES SHOWN OPTIONAL

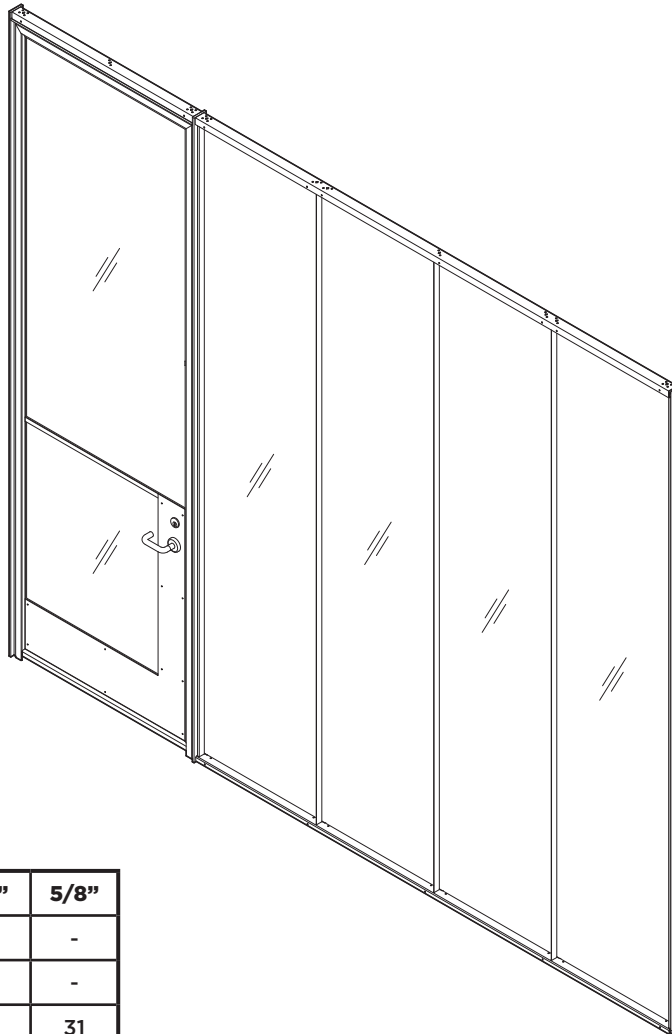


MASONRY ATTACHMENTS



INTERIOR KNOCKDOWN STOREFRONT SYSTEM

- INSTALLS QUICKLY AND EASILY - RAIL AND MULLIONS CAN BE CUT-TO-SIZE IN FIELD.
- STANDARD LITE WIDTH OF 24" - CAN BE CUSTOMIZED PER SPECIFIED DESIGN.
- COMPATIBLE WITH ANY STUDIO CORTEZ INTERIOR DOOR OR WINDOW SYSTEM.
- COMES STANDARD WITH 1/4" TEMPERED GLAZING - 5/8" IGU AVAILABLE.
- BLACKENED STEEL WITH STANDARD SATIN CLEAR COAT. POWDERCOATING AVAILABLE UPON REQUEST.
- MAXIMUM HEIGHT OF 144" - TRANSOM WINDOWS OPTIONAL.
- CROSSBARS AND KICKPLATES OPTIONAL - CONFIGURED PER SPECIFIED DESIGN.

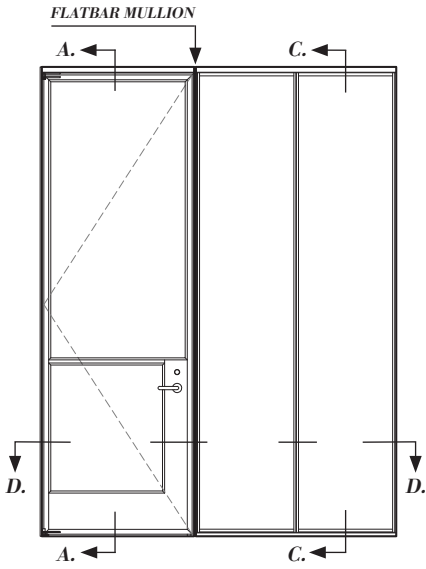


STC RATINGS	1/4"	5/8"
Single pane	31	-
Laminate	35	-
Insulated	-	31

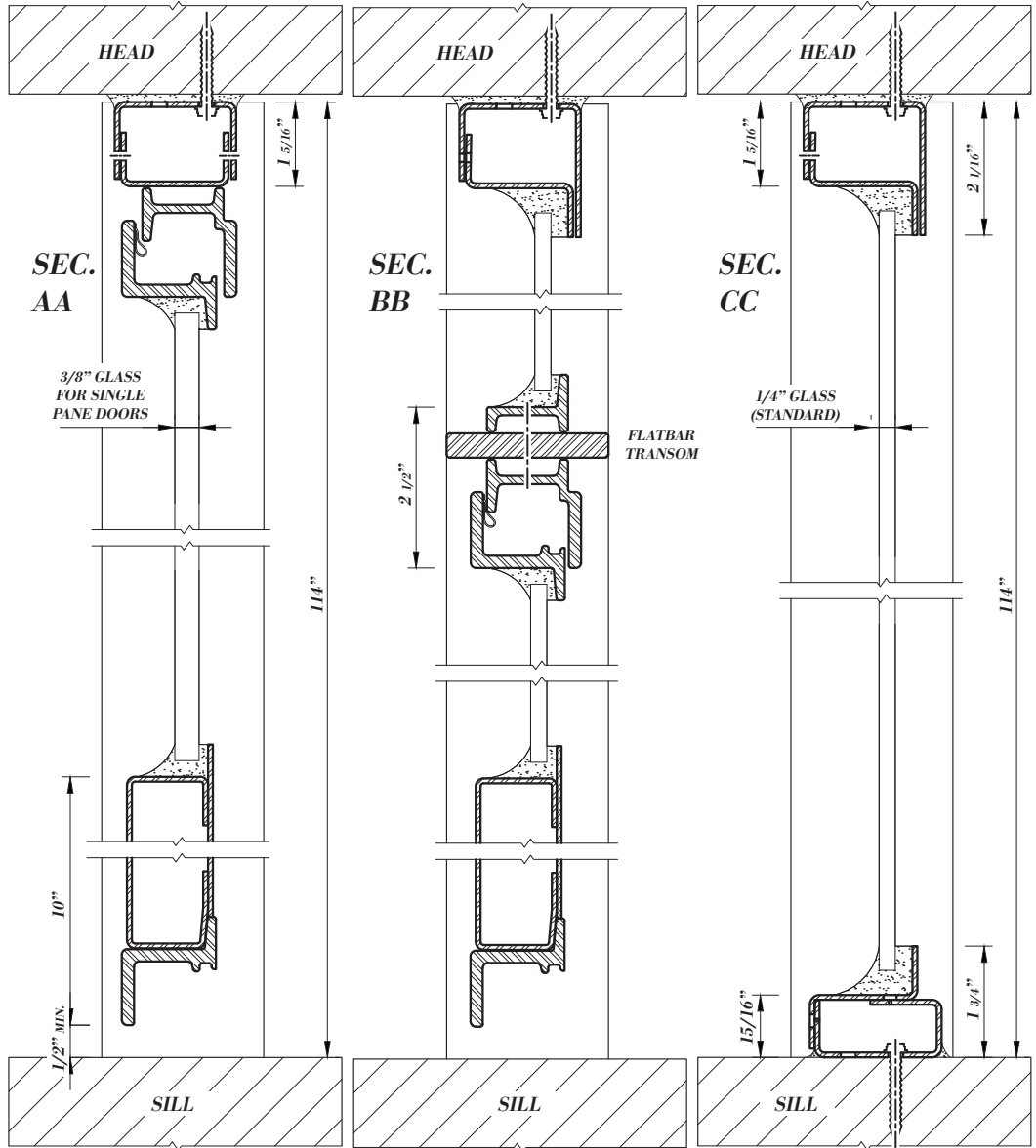
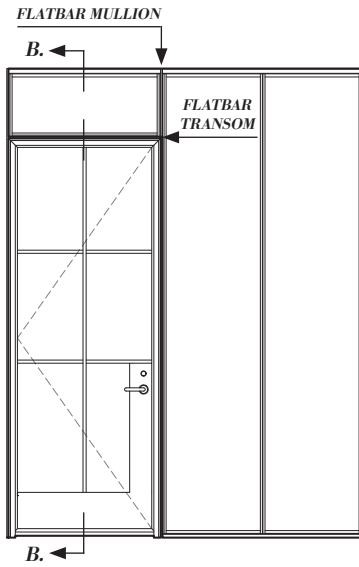
**FULL HEIGHT
DOOR**

**DOOR WITH
TRANSOM**

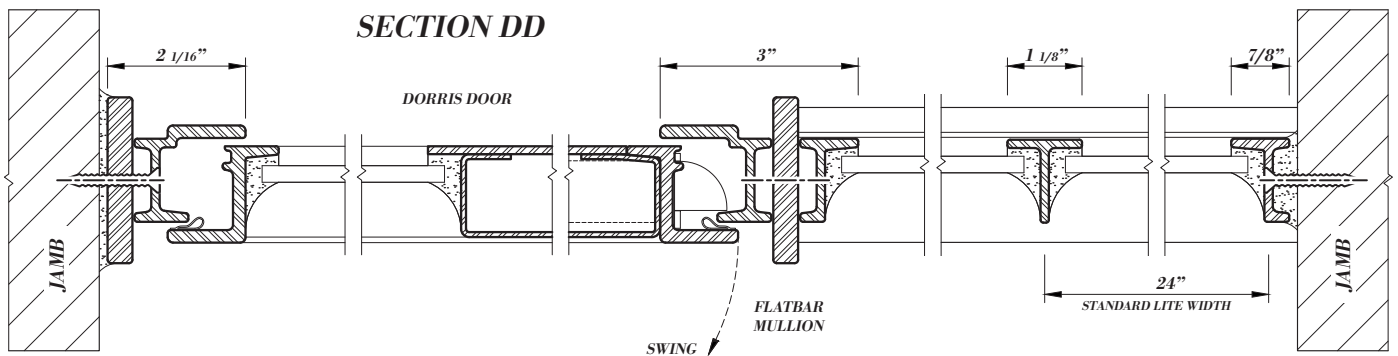
LITE SECTION



SHOWN WITH FULL HEIGHT DORRIS SWING DOOR
(GRID OPTIONAL)

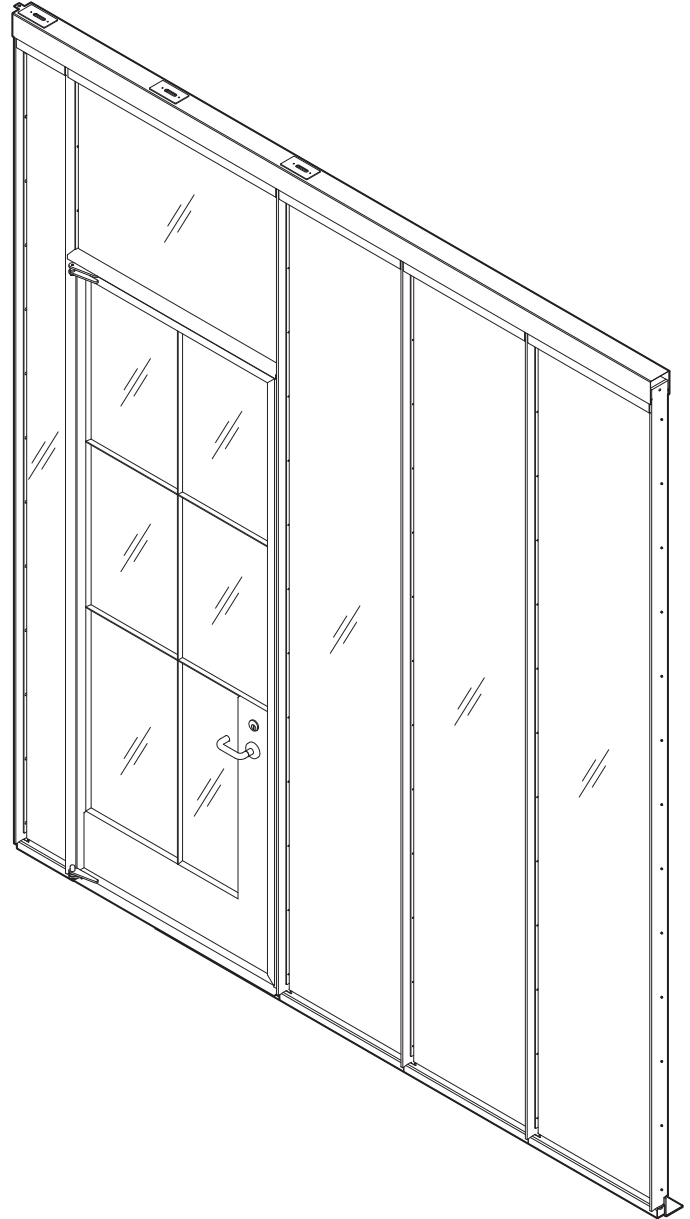


SECTION DD

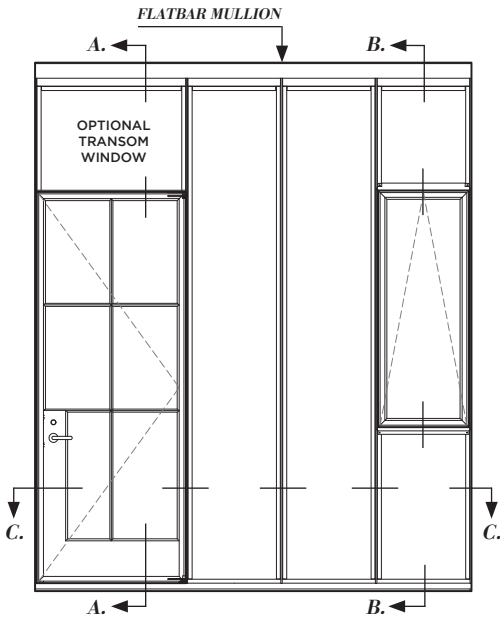


EXTERIOR KNOCKDOWN STOREFRONT SYSTEM

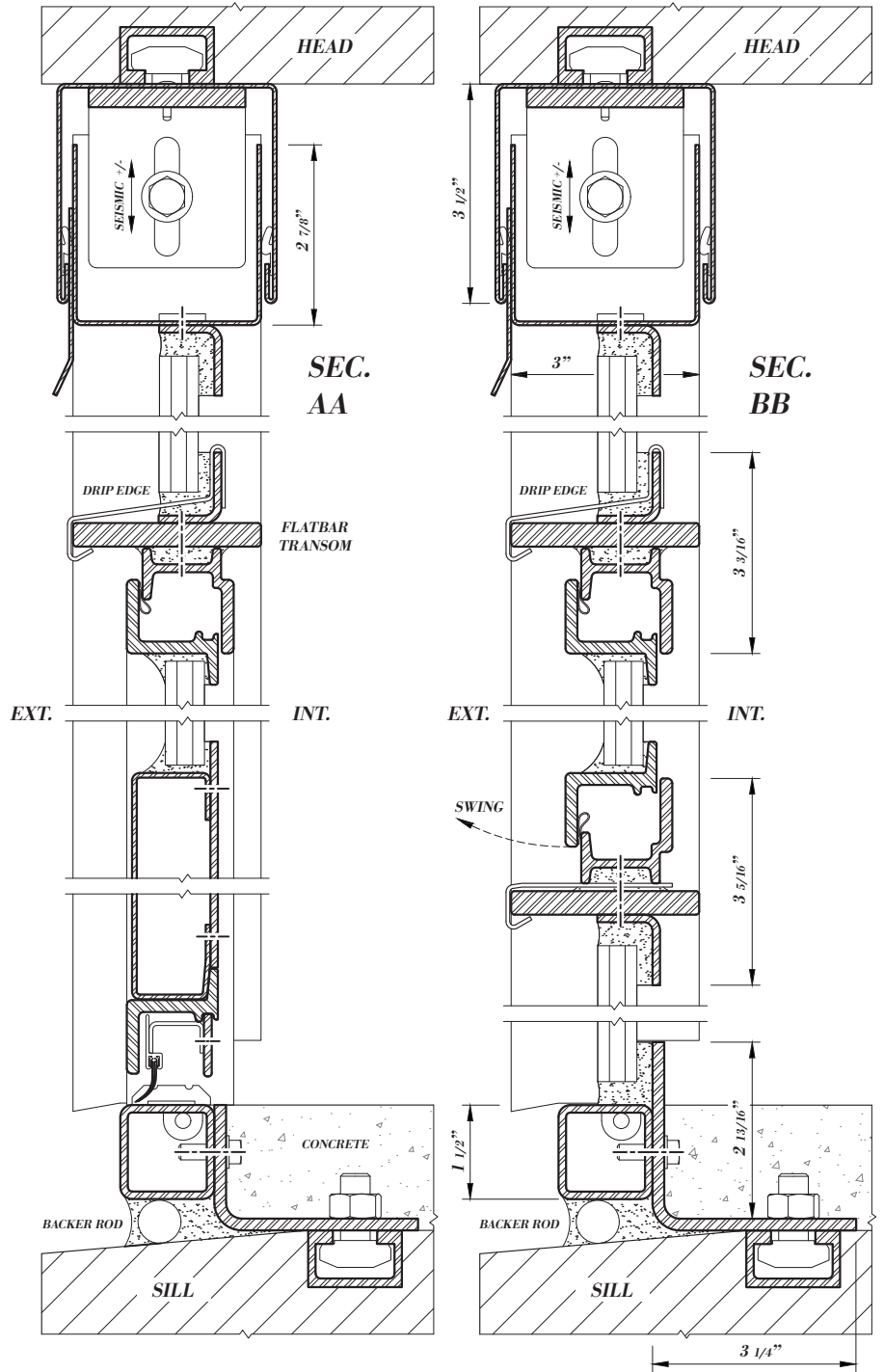
- GRID CONFIGURATION CAN BE CUSTOMIZED TO FIT SPECIFIED DESIGN
- COMPATIBLE WITH ANY STUDIO CORTEZ DOOR OR WINDOW SYSTEM
- STANDARD 5/8" IGU GLAZING - UP TO 1"
- BLACKENED STEEL WITH STANDARD SATIN CLEARCOAT - POWDERCOATING AVAILABLE UPON REQUEST
- TRANSOM WINDOWS AVAILABLE
- STANDARD LITE WIDTH OF 24"
- MAXIMUM LITE HEIGHT OF 240"
- SEISMICALLY RESISTANT DESIGN



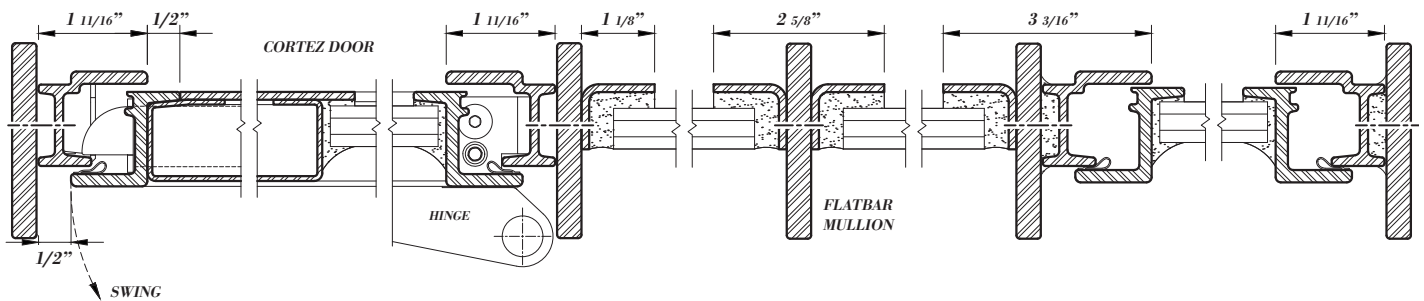
DOOR & WINDOW INTEGRATION

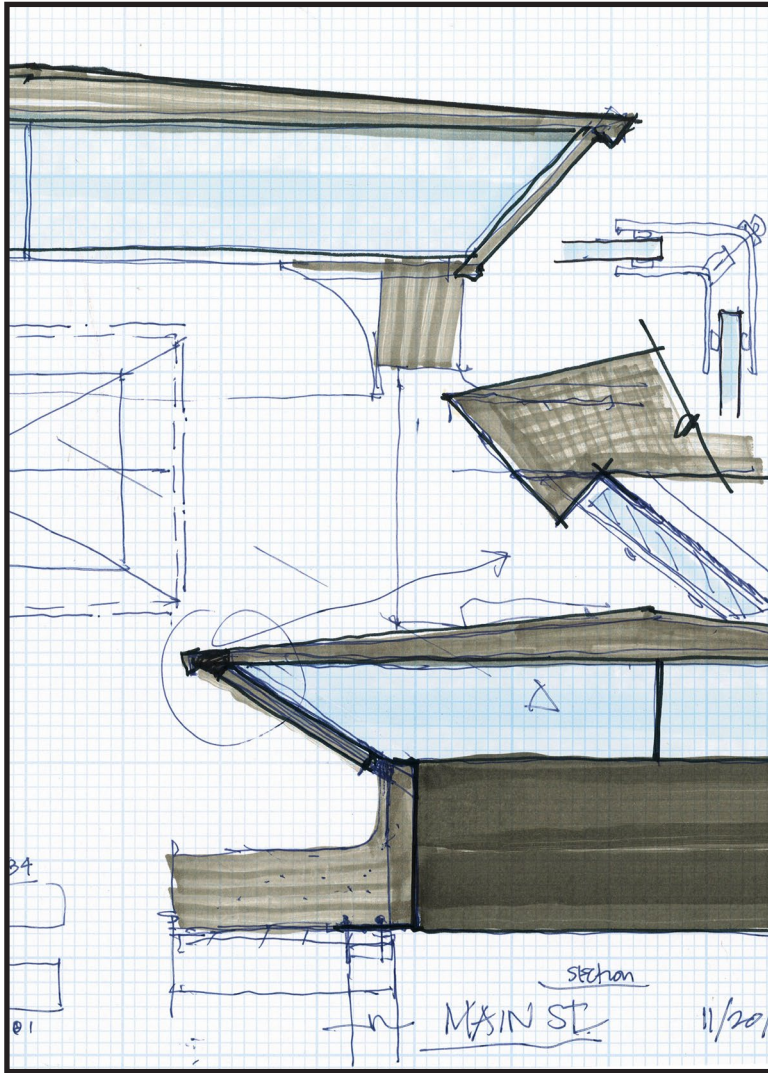


SHOWN WITH STANDARD CORTEZ SWING DOOR AND AWNING OPERABLE WINDOW



SECTION CC





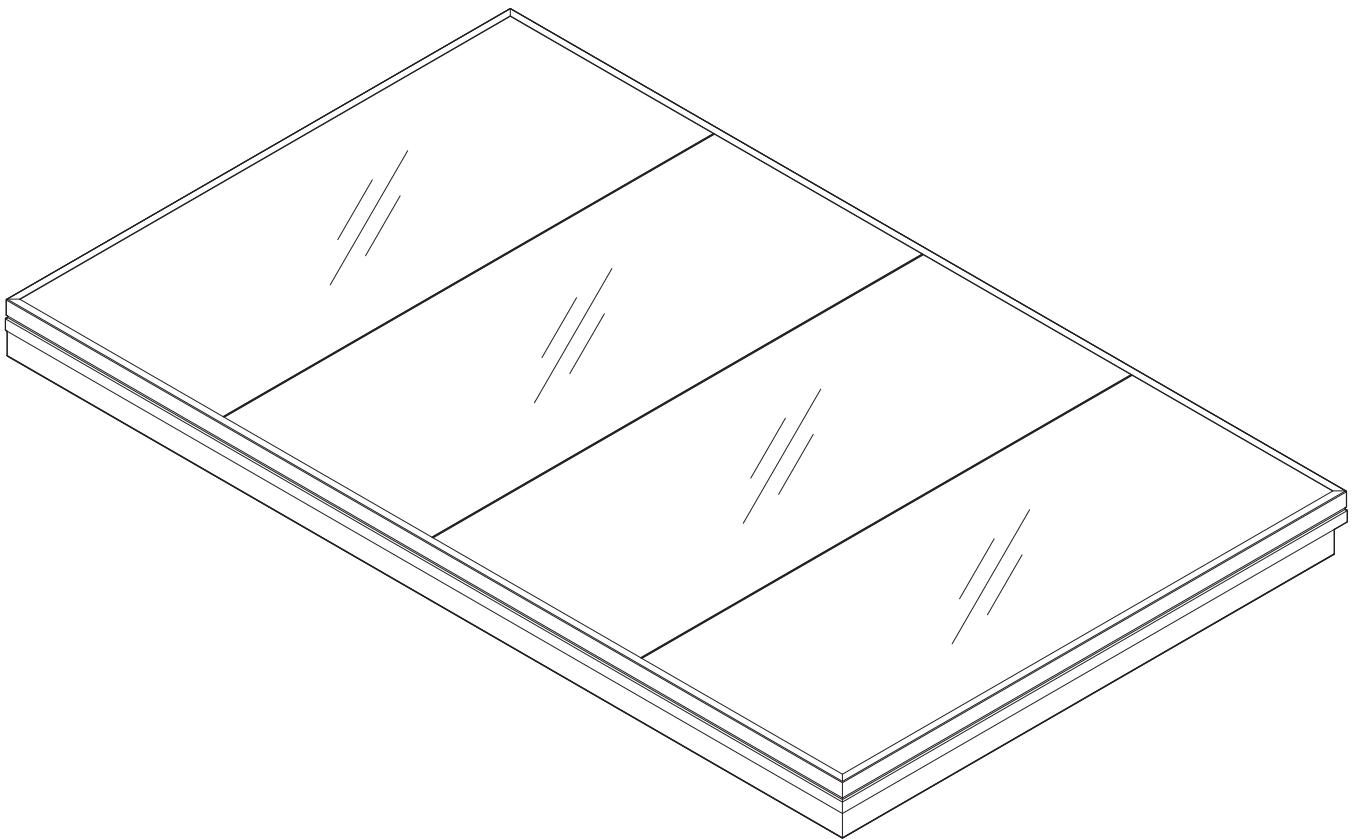
FIXED GRID SKYLIGHT

GRID CONFIGURATION PER REQUIRED DESIGN

STANDARD SATIN CLEARCOAT OR POWDER COAT FINISH

STANDARD 9/16" LAMINATE OR 1" IGU AVAILABLE

CURB HEIGHT VARIABLE DEPENDING ON DESIGN AND
CONDITIONS



STANDARD CURB

External flange provides a clean barrier condition for wall finish.

Height can vary depending on design and conditions.

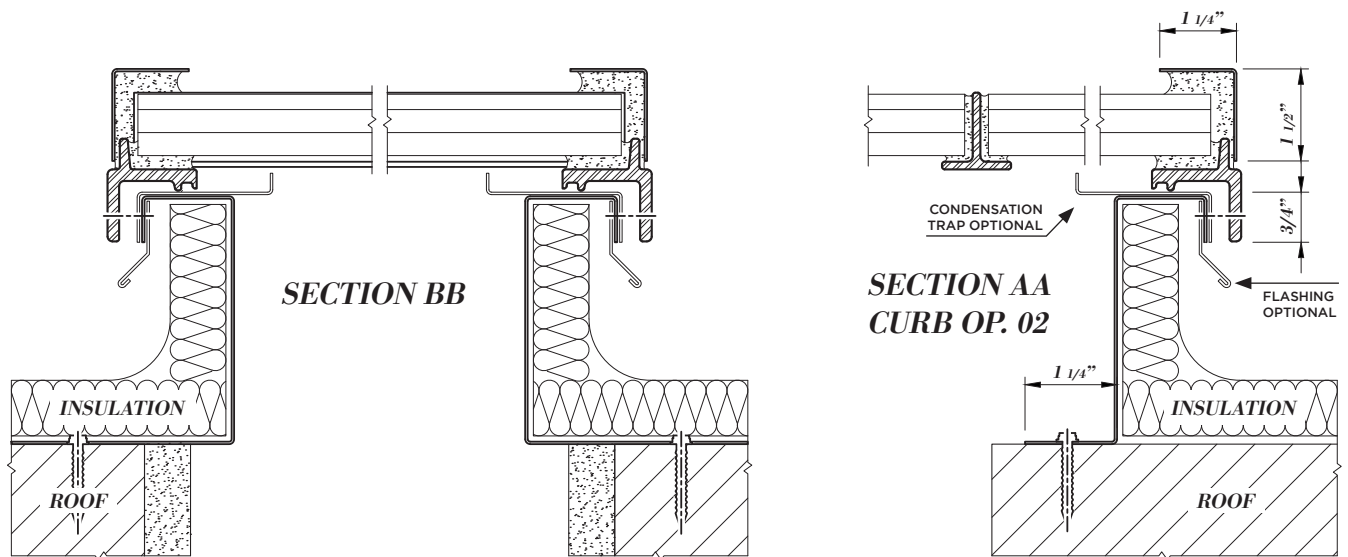
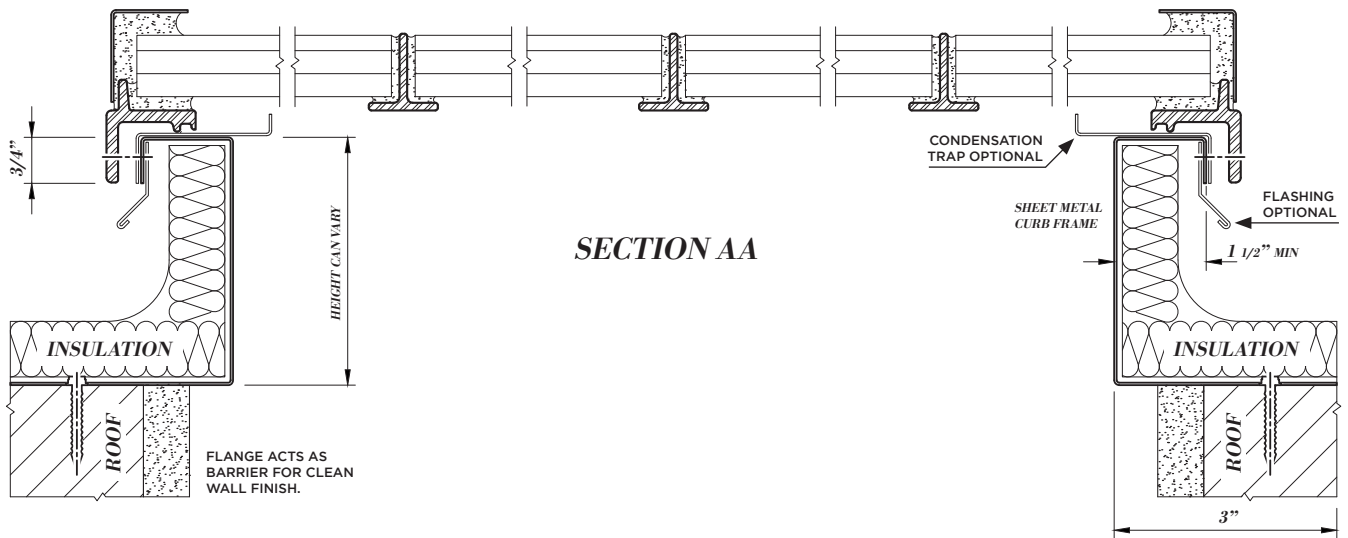
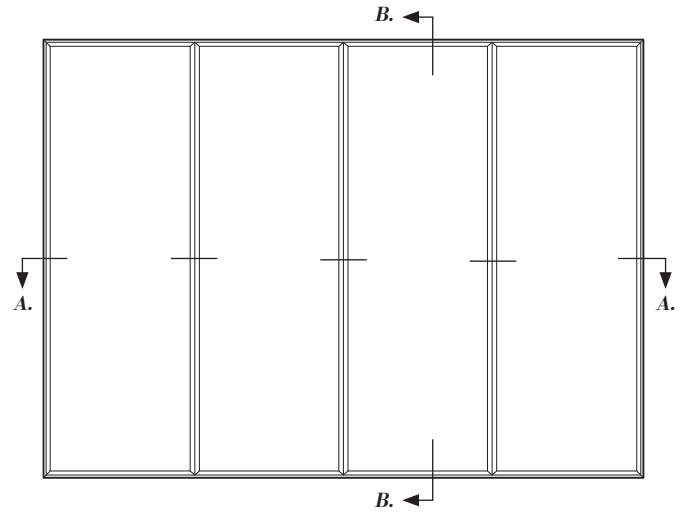
Attached from exterior.

CURB OPTION 2

Internal flange for use with post finish conditions.

Height can vary depending on design and conditions.

Attached from interior.



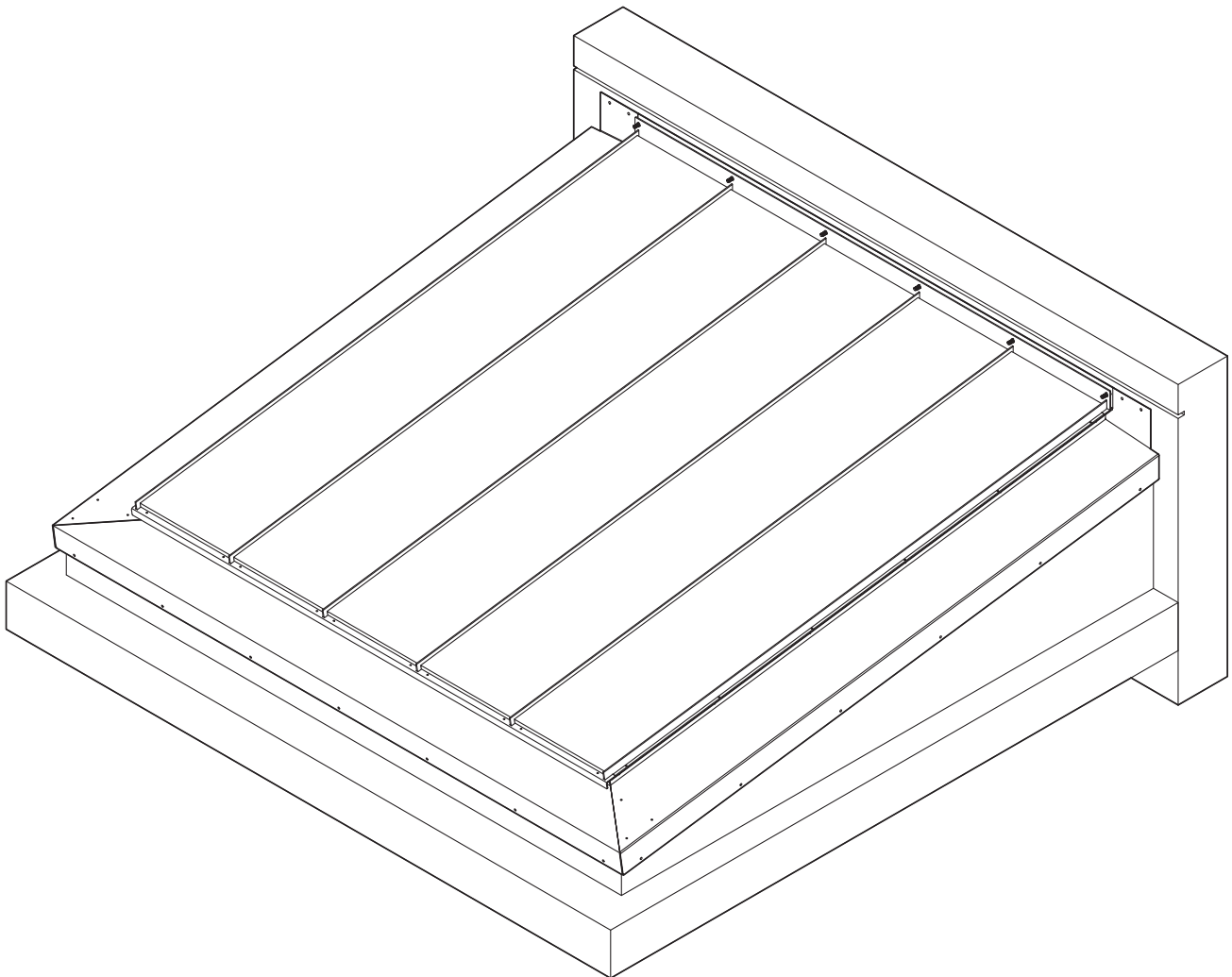
FIXED INCLINED SKYLIGHT

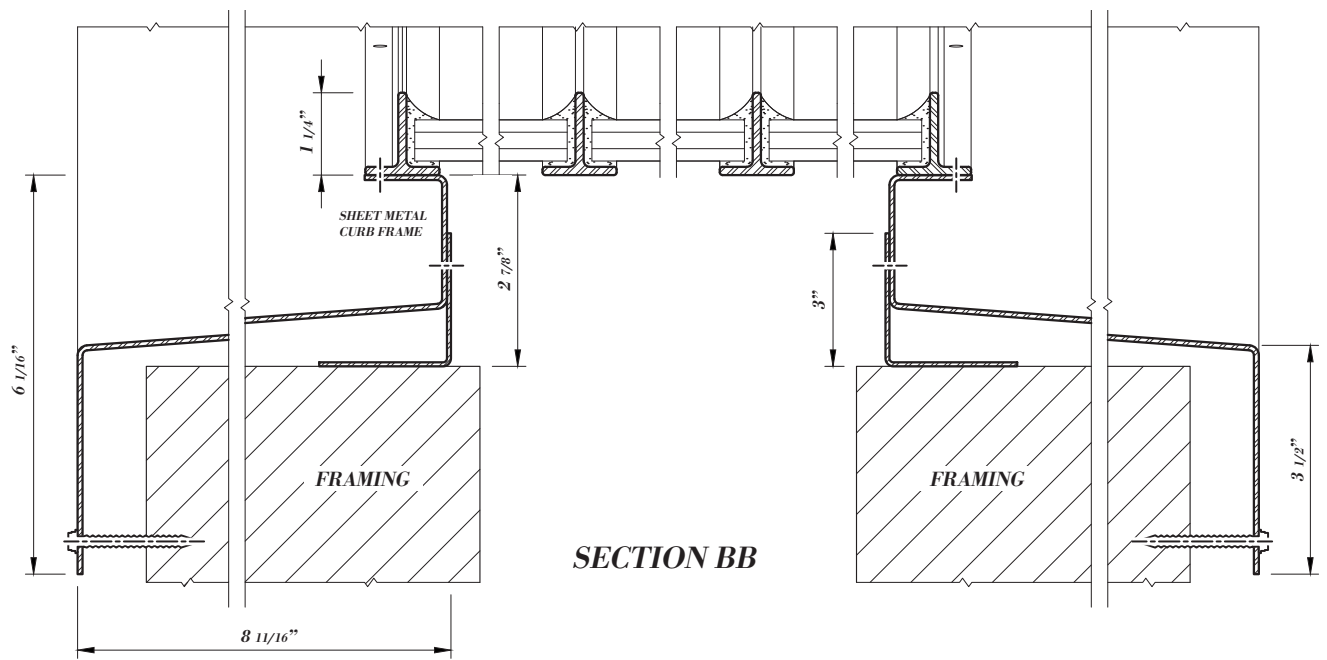
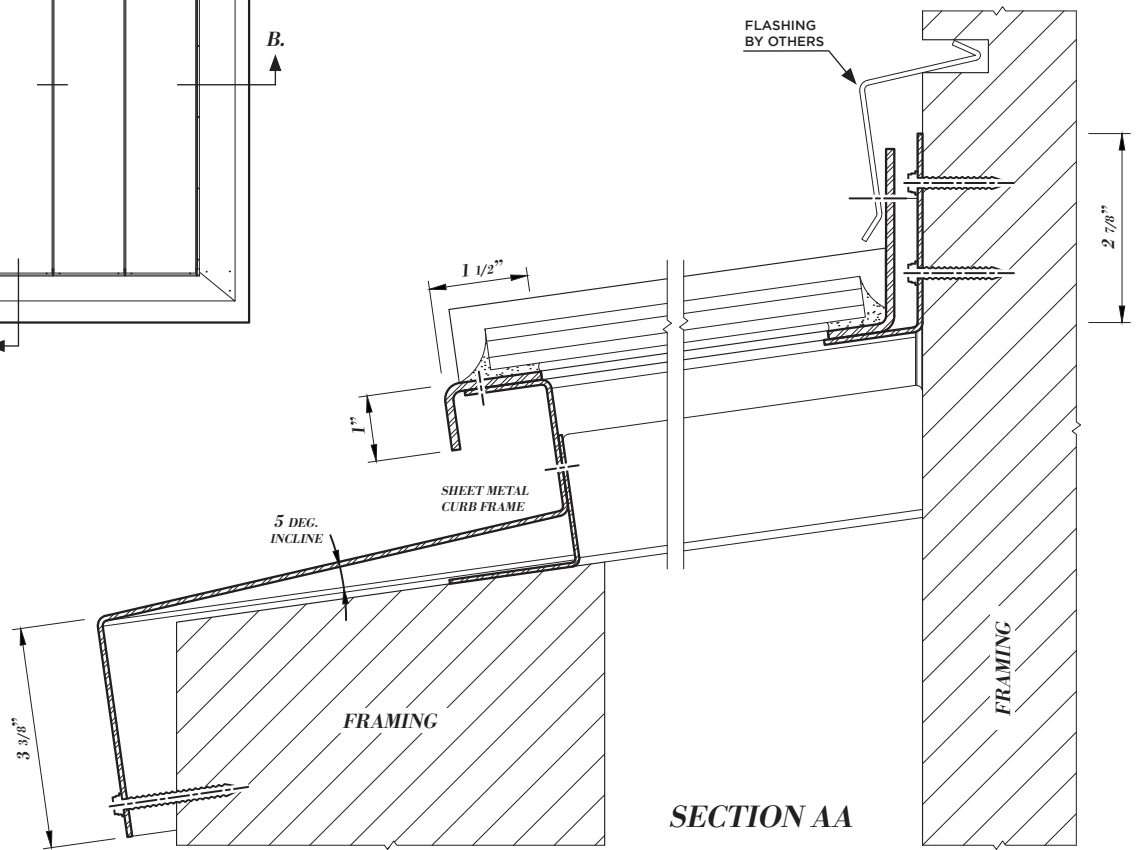
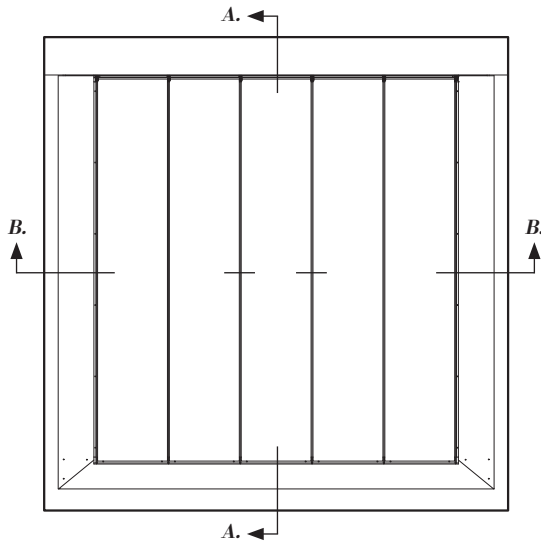
GRID CONFIGURATION PER REQUIRED DESIGN

STANDARD SATIN CLEARCOAT OR POWDER COAT FINISH

STANDARD 9/16" LAMINATE OR 1" IGU AVAILABLE

CURB HEIGHT VARIABLE DEPENDING ON DESIGN AND CONDITIONS





STUDIO CORTEZ STEEL DOOR AND WINDOW LIMITED WARRANTY, 2022

One-Off Systems:

Studio Cortez steel doors and windows are one-off systems built to suit. They are fabricated from industry standard steel sections and delivered with a clear primer exposing the characteristics of the raw material (mill scale, oxidation, etc.).

Studio Cortez Product Characteristics:

- Studio Cortez Steel doors and windows are fabricated from hot rolled industry standard sections, subject to slight variation in size and trueness. Variation is to be expected. A certain amount of oxidation is expected at the time of delivery. Care and maintenance will be required to prevent any further or detrimental oxidation of the steel.
- Mill scale from the original milling process is left intact. As this is part of the industrial creation of the material. Studio Cortez has no ability to control the durability, color, consistency, or thickness of the mill scale.

Limited Warranty:

- All Studio Cortez steel doors and windows are warrantied to the original purchaser to be free of significant material and workmanship defect for the duration of 1 year (12 months) from the date of delivery.
- This warranty is the Purchaser's sole remedy and Studio Cortez makes no other warranty, express or implied, of its work; this warranty is in lieu of any implied warranties of fitness for a particular purpose or merchantability. Studio Cortez shall not be responsible for any consequential damages, and Studio Cortez's liability shall be limited as specified in this warranty.

Exclusions to Warranty:

- All work or products supplied by others.
- Damage caused by excessive force or misuse of the product, or the result of a cause beyond our reasonable control (such as fire, earthquakes, etc.).
- Color discoloration or stains, including those caused by exposure to the elements or chemicals.
- Failures caused in whole or in part by improper maintenance or finishes.
- Ordinary wear and tear, including minor scratches or other visual imperfections.
- Components and hardware manufactured by others, such as hinges, latches, locks, glass, etc., are warrantied by the original manufacturer.
- Warranty is void if any modifications are made without Studio Cortez's expressed written consent.

Right to Cure:

Studio Cortez reserves the right to assess any alleged failure and propose and perform the fix, if any. Studio Cortez will determine the cost, if any, and notify the purchaser for approval prior to performing the work. A repair is the sole remedy available under this warranty, although Studio Cortez has the right to pay monetary compensation in lieu of repair, at Studio Cortez's sole discretion.

Making a Claim:

If you experience any issue that you feel should be covered by the warranty, please contact Studio Cortez in writing at made@studiocortez.com. Be sure to include a thorough description of the issue and contact information.



COPYRIGHT 2023

323.663.9898
Made@StudioCortez.com
StudioCortez.com