

## **INTERIOR SWISS SLIDING DOOR**

UP TO 3 OPERABLE PANELS

INTERIOR ONLY - SINGLE OR DOUBLE GLAZE

TOP HANGING OR BOTTOM TRACK SYSTEMS AVAILABLE

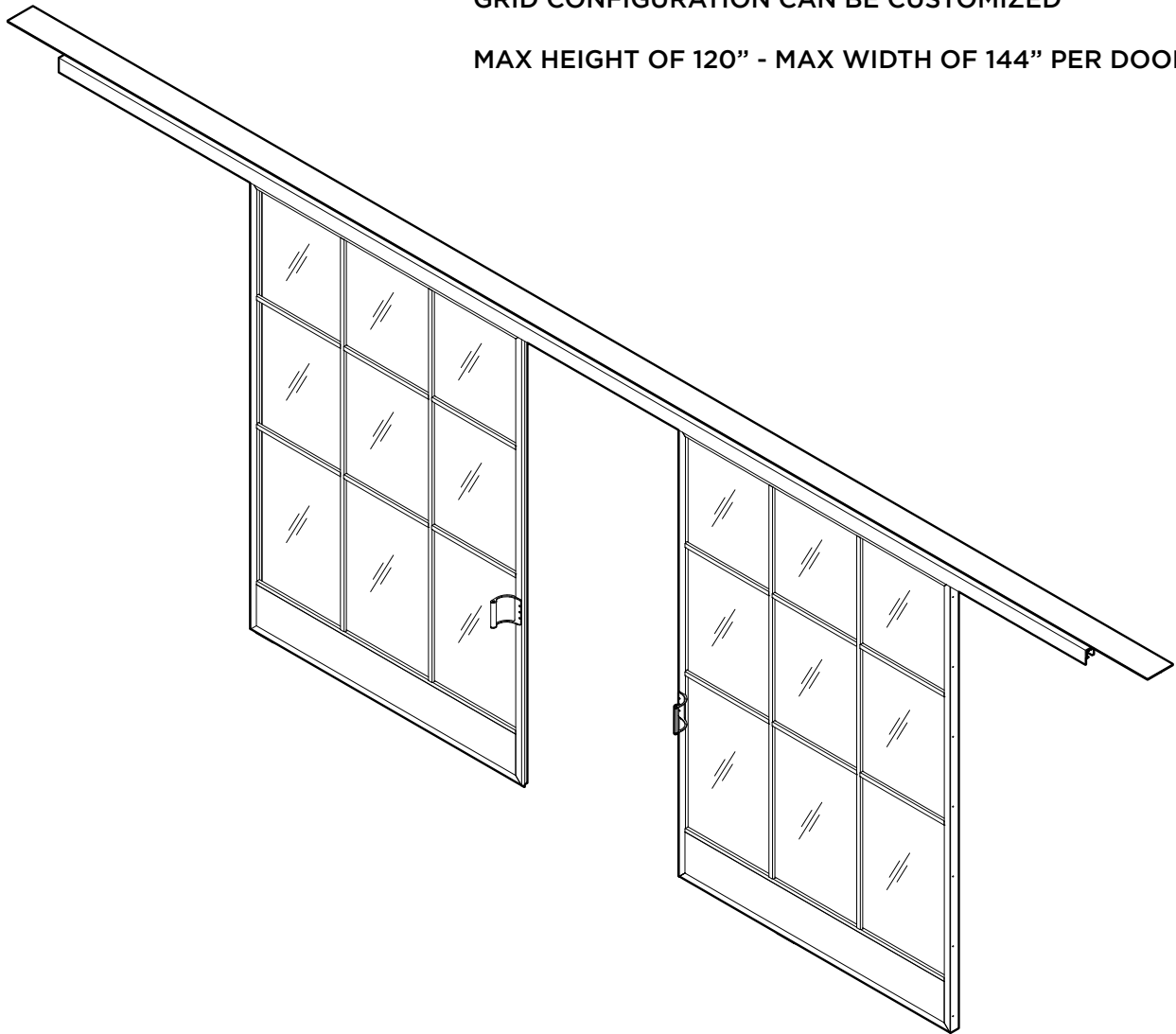
MULTIPLE LATCH MECHANISMS AVAILABLE

SCHLAGE L-SERIES HANDLES BRONZE (STANDARD)

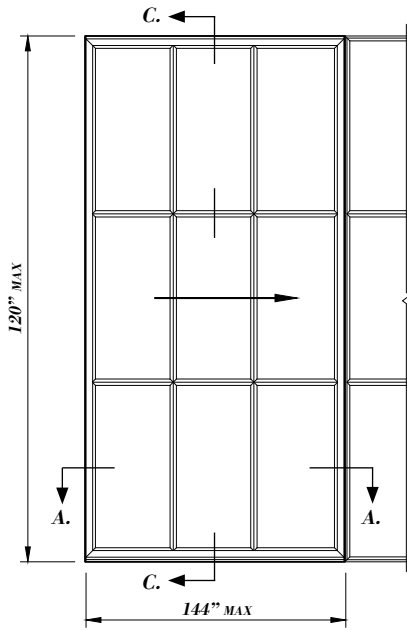
STANDARD SATIN CLEARCOAT OR POWDER COAT FINISH

GRID CONFIGURATION CAN BE CUSTOMIZED

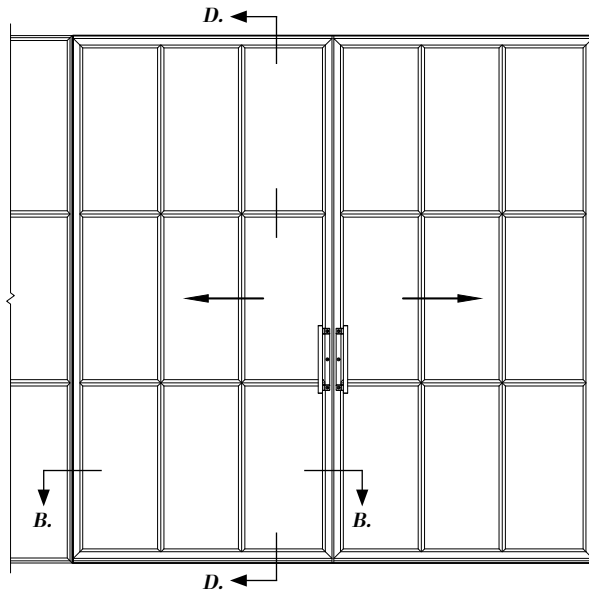
MAX HEIGHT OF 120" - MAX WIDTH OF 144" PER DOOR



# SINGLE DOOR



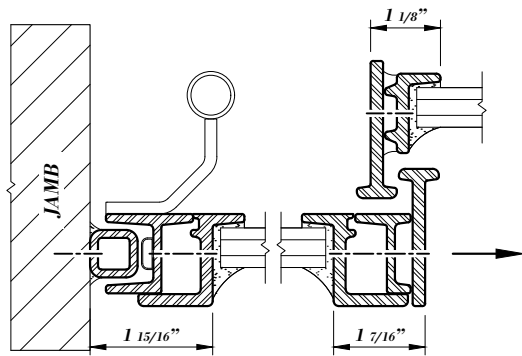
# DOUBLE DOOR



## OVERHEAD

## BOTTOM ROLLER

SECTION AA



SECTION BB

